

MERCO MARINE™

Floating Boat Dock Manufacturer



Create an Account Log In

COMMERCIAL RESIDENTIAL INDUSTRIAL PROJECT GALLERY ABOUT US CONTACT 1-800-396-3726

SHOP BOAT DOCK PARTS ONLINE

Search by Name or SKU

- CHECK OUT
- ACCESSORIES
- DOCK COMPONENTS
- FLOATS
- KITS
- MERCO GEAR (9)
- MINI STORAGE (9)
- UNCATEGORIZED (29)
- NEW ARRIVALS

TSG Third Banner test for Merco Marine

From personal docks to city marinas, Merco has the knowledge and capability to guide your project to lasting success.

Project Gallery

Check out our NEW website at:
WWW.MERCOMARINE.COM
1.304.737.3006
AMERICAN MADE & MANUFACTURED

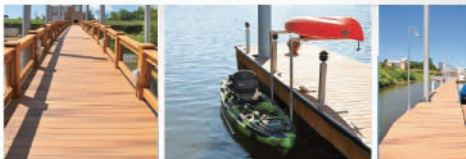


NEW WEBSITE IN 2021

Merco Marine is working diligently to be the best in our field. We are proud to announce we have a brand new website for 2021. At the beginning of 2020 we launched the previous version of our website. The newer 2021 version is a major improvement from our entire online presence over the past decade.



2021



Some key improvements you will find are as follows:

- More information on the different types of dock systems we offer
- The different services we offer
- Various industries our systems can service
- Improved shipping calculations

We are passionate about our business and we strive to provide the best service possible. We take great pride in our service and our 100% made in the USA products. We hope you love our new site as much as we do. We truly appreciate your support and can't wait for the opportunity to serve you!

COVID-19 AND PRICING

We always try to process orders in a timely manner and keep you well informed on status and pricing. We hope you can understand that with everything going on in the world currently some things are beyond our control.

COVID-19 has affected us all in one way or another. Some of the more long term effects of the pandemic we are now seeing are drastic pricing changes in steel and lumber as well as substantially longer than normal lead times on a lot of the materials we use in our products.

Now more than ever please be aware that pricing and lead times are subject to change without notice.



Our website can also figure shipping charges on most items that are able to ship UPS or FedEx. All you need to do is add the desired items to your cart and use the "estimate shipping & tax" option.

With Merco Marine you pay only the actual shipping cost. No additional charges are applied and there is no minimum.



Hours: Monday - Thursday 7 a.m. - 5:30 p.m.
 FAX Orders - 24 hours a day: (304) 737-3008
 Order Online - www.mercoboatdocks.com

All trademarks have registered trademarks pending
 Copyright MERCO MARINE™ All Rights Reserved

We cannot be held responsible for printing errors. There is 15% restocking fee on all returned items. Please request a RMA number from us prior to any return. Pricing subject to change without notice.

Aerial Videos	5
Adjustable Pile Guide	25
Auger	29, 31
Bar Hoop Pile Holders	26, 27
Benches	48
Bumpers	51, 52
Canoe Docks	43
Chain Pile Guides	23
Cleats	45
Coolers	47
Corner Bumpers	51, 52
Crew Dock	36
Cushions	52
Decking	47
Dock Boxes	37
Dock Kits - Homeowner	43
Dock Wheels and Kits	38, 50
Eagle Floats	34-35
External Pile Holders	24
Fasteners	28
Finger Stabilizer	15
Fishing Piers	61
Float Drums	34-36
Floating Sign	46
FREE STUFF	42
Gangways	39
Glulam	53
Grab Handle	19
Grating	32
Hollaender Fittings	44
Homeowners Hardware	12-13
Hoop Pile Holders	22, 23
Internal Pile Holders	20, 21
Kayak-N-Rack	42
Ladders	48, 49
Marker Buoys	48
Non-Articulating Hardware	14
Permafloat Float Drums	35-36
Personal Watercraft Lifts	42
Piano Hinges	40-41
Pile Caps	40
Pipe Holders	9, 13, 20-27
Plan Kits	43
Power Posts	46
Pump Dock	32, 33
Ramp Hardware	18
Roller Assemblies	19
Rowing Float	36-37
Rubrail	51-52
Solar Powered Lights	46
Safety Caps	29-31
Stationary Dock	29-31
Steel Ladder	48
Stiff Arms	15
Splice Plates	11
Take Up Reel	48
Tank Floats	34, 37
Tide Riser	19
Truss Dock	54
Truss Dock Accessories	55, 56
Truss Frames	54
Truss and Wood Frames	53
Utility Posts	46
Vertical Bumper	52
Walkways	33
Wheel	38, 50
Winches	48
Wood Dock Accessories	17-19
Wood Dock Hardware	8-15



PAGE 34 & 36	PRICE
FE/FC-4512	\$ 186.18
FE/FC-4516	\$ 223.77
FE/FC-4520	\$ 252.94
FE/FC-4524	\$ 270.96
FE/FC-4612	\$ 217.66
FE/FC-4616	\$ 250.33
FE/FC-4620	\$ 282.35
FE/FC-4624	\$ 318.81
FE/FC-4632	\$ 418.14
FE/FC-4812	\$ 277.89
FE/FC-4816	\$ 330.68
FE/FC-4820	\$ 373.43
FE/FC-4824	\$ 420.14
FE/FC-4832	\$ 537.63
FE/FC-349630	\$ 469.30
FE/FC-349636	\$ 522.24
FE/FC-3216824	\$ 676.84

PAGE 37	PRICE
FE/FC-207208	See page 34
FE/FC-207210	See page 34
FE/FC-209610	See page 34
DB-CM071	\$ 627.96
DB-CM02	\$ 413.76
DB-CM07	\$ 750.36
DB-CM01	\$ 397.73
DB-CM09	\$ 856.73

PAGE 38	PRICE
WHEEL	\$ 58.28
WH-DOCKKIT	\$ 228.64
WH-BOATLIFT	\$ 256.76

PAGE 39	PRICE
AG-315	\$ 3,333.33
AG-320	\$ 3,847.78
AG-325	\$ 4,496.67
AG-330	\$ 5,333.33
AG-415	\$ 3,654.44
AG-420	\$ 4,244.44
AG-425	\$ 4,777.78
AG-430	\$ 6,122.22

PAGE 40	PRICE
PCB-7	\$ 7.25
PCB-8	\$ 7.58
PCB-9	\$ 8.12
PCB-10	\$ 8.44
PCB-11	\$ 8.88
PCB-12	\$ 9.20
PCB-13	\$ 9.74
PCB-14	\$ 9.96
PCB-15	\$ 10.39
PCB-16	\$ 10.82
PCW-7	\$ 7.25
PCW-8	\$ 7.58
PCW-9	\$ 8.12
PCW-10	\$ 8.44
PCW-11	\$ 8.88
PCW-12	\$ 9.20
PCW-13	\$ 9.74
PCW-14	\$ 9.96
PCW-15	\$ 10.39
PCW-16	\$ 10.82
PCB-8S	\$ 9.63
PCB-10S	\$ 9.85
PCB-12S	\$ 10.82
PCB-14S	\$ 12.56
PCW-8S	\$ 9.63
PCW-10S	\$ 9.85
PCW-12S	\$ 10.82
PCW-14S	\$ 12.56
B-RN	\$ 2.04
B-RRS1	\$ 3.41
PH-SP6	\$ 18.70
PH-SP6-PIN	\$ 10.08
PH-SP6-TPIN	\$ 10.69
B-CLIP	\$ 0.30
PH-TFP12	\$ 26.49
PH-TFP12-TPIN	\$ 13.52

PAGE 41	PRICE
PH-TF3-1	\$ 33.81
PH-TF4-1	\$ 40.80
PH-WD3-1	\$ 33.81
PH-WD4-1	\$ 40.80
PH-PIN3-1	\$ 16.11
PH-PIN4-1	\$ 19.58
PH-PIN6-1	\$ 26.52
PH-PIN8-1	\$ 33.46
PH-S5	\$ 13.24
PH-S2	\$ 7.38
B-1W	\$ 0.35
B-CLIP	\$ 0.30

PAGE 42	PRICE
WP-SLX5	\$ 1,679.99
WP-SLXFA	\$ 283.49
KAYAK-N-RACK	\$ 297.68

PAGE 43	PRICE
KIT-L	\$ 477.31
KIT-T	\$ 483.87
KIT-KAYAK	CALL

PAGE 44	PRICE
HF-3	\$ 15.82
HF-3AE	\$ 31.19
HF-5	\$ 18.39
HF-5E	\$ 12.66
HF-7	\$ 22.99
HF-7E	\$ 14.62
HF-9	\$ 21.54
HF-10	\$ 23.13
HF-11	\$ 21.27
HF-11E	\$ 14.13
HF-12	\$ 20.78
HF-13E	\$ 19.51
HF-17	\$ 20.60
HF-20	\$ 32.13
HF-23	\$ 28.23
HF-40	\$ 13.10
HF-42	\$ 16.25
HF-45	\$ 14.97
HF-50	\$ 19.53

PAGE 45	PRICE
C-8N	\$ 5.87
C-10N	\$ 9.90
C-10S	\$ 21.40
C-12S	\$ 28.56
C-FD6	\$ 18.04
C-FD9	\$ 23.14
C-8	\$ 9.25
C-10	\$ 15.59
C-12	\$ 23.75
C-10C	\$ 17.32
C-10M	\$ 27.73
C-12M	\$ 45.64

PAGE 46	PRICE
UP-1	\$ 213.80
SL-9SOL	\$ 204.75
SL-THF	\$ 248.85
FS-0	\$ 391.30

PAGE 47	PRICE
SIESTA	CALL
VP-GRATING24	\$ 120.75
VP-GRATING26	\$ 182.70
VP-GRATING34	\$ 182.70
VP-GRATING45	\$ 304.50
MC-70-T	\$ 309.00
MC-70-W	\$ 309.00
MC-70-G	\$ 309.00

PAGE 48	PRICE
H-TUR	\$ 335.22
BEN-ENDS	\$ 73.78
BEN-4	\$ 157.71
MB-1	\$ 210.00
MB-2	\$ 210.00
MB-3	\$ 210.00
MB-4	\$ 210.00
MB-5	\$ 210.00
MB-6	\$ 210.00
MB-7	\$ 210.00
L-4PW	\$ 220.82
L-5PW	\$ 242.47
LM-4	\$ 144.62
LM-5	\$ 159.43
LM-6	\$ 174.23

PAGE 49	PRICE
L-5LL	\$ 210.31
L-4	\$ 163.92
L-AK	\$ 9.28
L-4P	\$ 164.95
L-5P	\$ 178.35
L-6P	\$ 194.85
L-4S	\$ 235.05
L-5S	\$ 249.48
L-6S	\$ 264.95

PAGE 50	PRICE
DW-12W	\$ 50.18
DW-12WB	\$ 50.18
DW-12WD	\$ 71.32
DW-12WD-B	\$ 71.32
DW-12S	\$ 75.13
DW-12S-B	\$ 75.13
DW-12	\$ 78.48
DW-12-B	\$ 78.48
DW-12HE	\$ 79.55
DW-12HE-B	\$ 79.55
DW-12HLE	\$ 75.99
DW-12HLE-B	\$ 75.99

PAGE 51	PRICE
DE-40W	\$ 94.45
RR-5000	\$ 18.98
RR-5001	\$ 22.62
RR-5001B	\$ 17.17
RR-5001G	\$ 22.62
RR-5002	\$ 31.90
RR-5002B	\$ 24.63
RR-5005	\$ 29.07
RR-5005B	\$ 22.42
RR-5005G	\$ 25.64
RR-5006	\$ 44.02
RR-5006B	\$ 33.52
RR-5007	\$ 29.07
RR-5007B	\$ 22.01
RR-5008	\$ 44.02
RR-5008B	\$ 33.52
B-RN	\$ 2.04
B-RRS1	\$ 3.41

PAGE 52	PRICE
RR-HDPB-B	\$ 23.84
RR-HDPB-W	\$ 23.84
RR-426	See Website
RR-7210	See Website
RR-DC36W	\$ 12.99
RR-DC36B	\$ 12.99
H-UPW	\$ 44.41
H-UPT	\$ 18.39
CB-W	\$ 18.39
CB-B	\$ 18.39
CB-G	\$ 18.39

PAGE 53	PRICE
UT	\$ 49.79

PAGE 54	PRICE
TF-210	\$ 446.39
TF-310	\$ 501.86
TF-410	\$ 528.70
TF-510	\$ 619.96
TF-610	\$ 704.61
TF-810	\$ 825.39
TF-210-2	\$ 492.63
TF-310-2	\$ 573.20
TF-410-2	\$ 602.25
TF-510-2	\$ 700.36
TF-610-2	\$ 811.46
TF-810-2	\$ 956.38
TF-310T	\$ 541.64
TF-410T	\$ 521.50

PAGE 55	PRICE
TF-HF	\$ 23.74
TF-HM	\$ 19.81
B-PIN	\$ 3.90
TF-HFD	\$ 31.15
TF-HMD	\$ 23.74
B-PIN	\$ 3.90
TF-P3	\$ 19.18
H-RA	\$ 27.80
TF-ADAPTER	\$ 33.81
TF-DPSP	\$ 49.50
TF-HD-HM	\$ 28.60
TF-HD-HF	\$ 34.66

PAGE 56	PRICE
TF-FS	\$ 66.52
H-FSP	\$ 30.66
H-AP	\$ 54.92
H-SF (2)	\$ 28.22
B-PIN (2)	\$ 7.79
H-FSCOM	\$ 121.84
TF-PH	\$ 20.05
TF-P3	\$ 19.18
TF-P320	\$ 36.28

Merco Marine
60 Merco Road
Wellsburg, WV 26070

1-800-396-3726
1-304-737-3006
www.mercomarine.com
merco@mercomarine.com

New Pictures of Older Projects



14 Years old in 2020



7 Years old in 2020

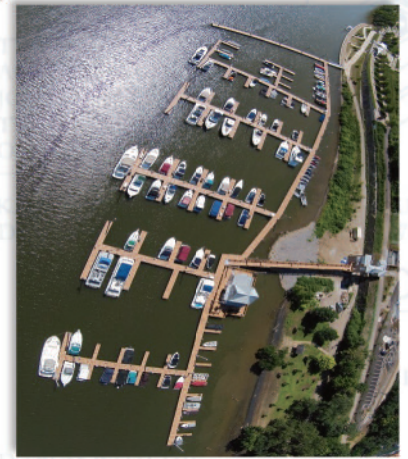


16 Years old in 2020

Marina Aerial Video Series

As a courtesy to some of our customers Merco has done several high definition videos of marina projects we have worked on in the past. You can find the videos on YouTube if you do a search for Merco Marine or just go to www.youtube.com/mercomarine and look for our Aerial Video playlist. South Side Marina from above is one of many of those that we have video of.

www.youtube.com/mercomarine



Under Construction

These are various projects that our customers have sent us partially finished of their projects. In most cases we have figured parts lists and assembly plans to help our customers assemble docks if they wanted to do it themselves.



WOOD DOCK HARDWARE



Boatyard in California



Marina in West Virginia



Marina in Massachusetts



Boatyard in Virginia



Homeowners Dock in Ohio



Resort in Cancun



OUR 3 DIFFERENT GRADES OF WOOD DOCK HARDWARE

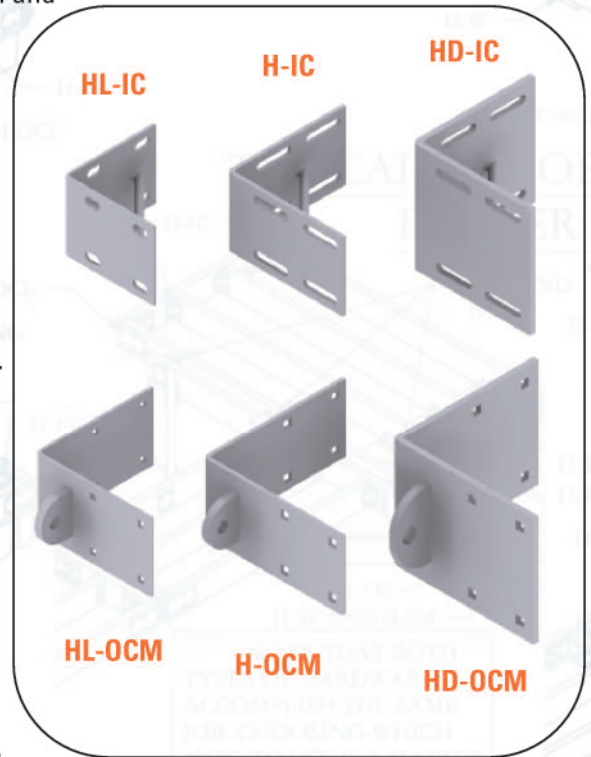
Our **wood dock hardware** is manufactured in three different thicknesses of high strength steel. Are you tired of trying to find the best deal and the original source for products? We're It! Most other boat dock builders buy their hardware from someone else. We don't! All of our hardware is made with US steel and US employees right here in our plant in Wellsburg, WV. Our galvanized steel wood dock hardware will give you years of premium use! Our wood dock hardware is **HOT DIPPED GALVANIZED** after fabrication.

To determine which style of hardware works best for you please take a moment to review the information below.

Light: (Item code series HL-) Is for small lakes or ponds with very little water level or wave fluctuation. This grade of hardware is 5" tall, 3/16" thick, and uses 3/8" carriage bolts for assembly. The hinges use 3/4" bolts or pins. You can find our basic HL series hardware on pages 12-13.

Standard: (Item code series H-) Is our most popular line it is the most commonly used for dock applications. Use this type of hardware on rivers or lakes with moderate waves or water level fluctuation. This grade of hardware is 5" tall, 1/4" thick, and uses 1/2" carriage bolts for assembly. The hinges use 3/4" bolts or pins. You can find our basic H series hardware on pages 8-9.

Heavy: (Item code series HD-) Use this type of hardware in areas with more extreme conditions. Heavy duty wood dock hardware is 8" tall, 3/8" thick, and uses 1/2" carriage bolts for assembly. The hinges use 1" bolts or pins. You can find our basic HD series hardware on pages 16-17.



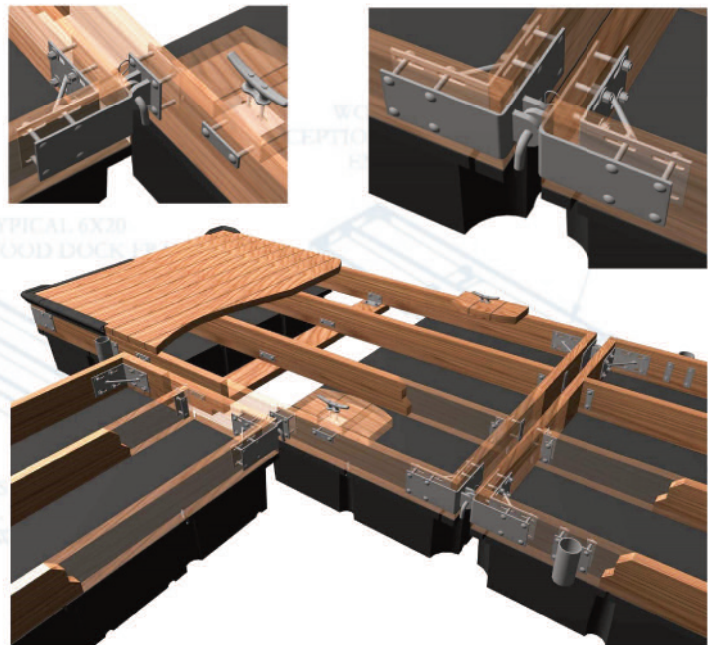
Please note that in most cases our hardware is not interchangeable between grades.

PLAN KITS

Plan Kit

If you are thinking about building a wood dock on your own this year our wood dock plan kit may be just the ticket to help you. Give us a call and have us mail you a copy of this easy to understand kit that will explain how to build a wood floating dock, the right way the first time. The kit contains general drawings on 3' - 10' wide docks, a typical U, T, and L dock layout configurations plus the hardware, floats, and lumber needed to build these layouts. The kit also explains all of our wood dock hardware, what its used for, and why. The kit is available online, it's free to view or download or you can have us mail you a hard copy as a 24" x 36" drawing.

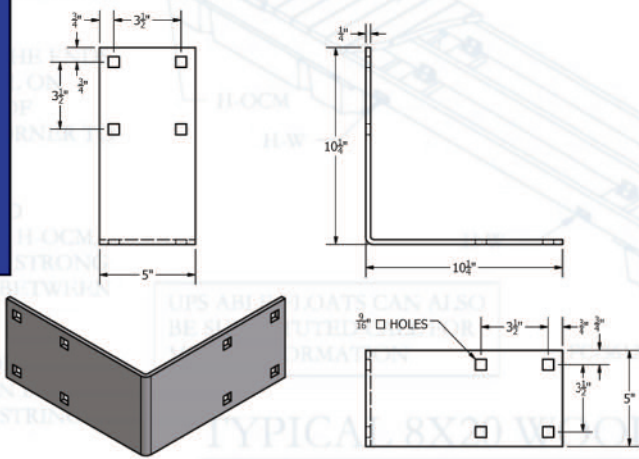
Mercob can provide you lists which have all the necessary hardware, floats, and fasteners. You can save money on freight by buying lumber & decking locally.



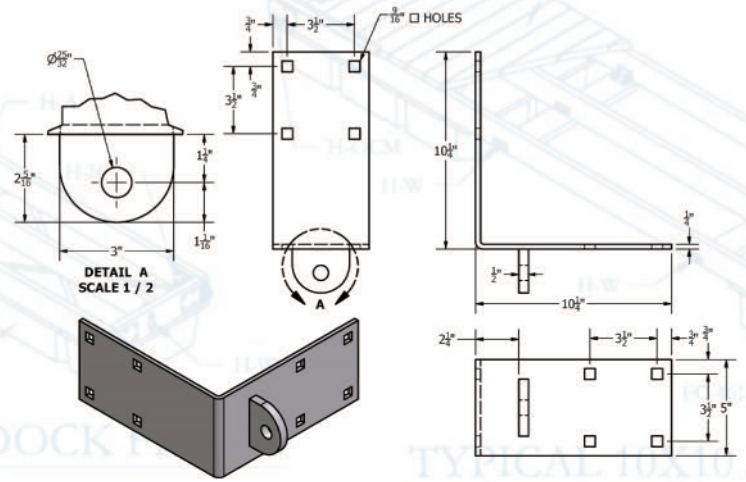
You can view or print our plan kit for FREE at www.mercoboatdocks.com/plan-kit



1/4" HOT DIPPED GALVANIZED WOOD DOCK HARDWARE



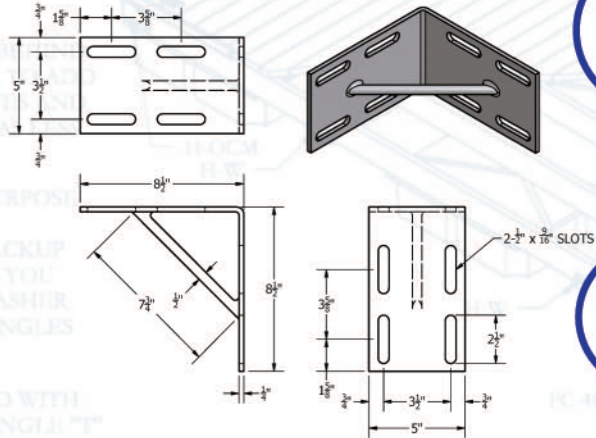
Outside Corner End (H-OCE) is used at the ends of fingers, ends of dock or for swim platforms.
H-OCE Ship# 7



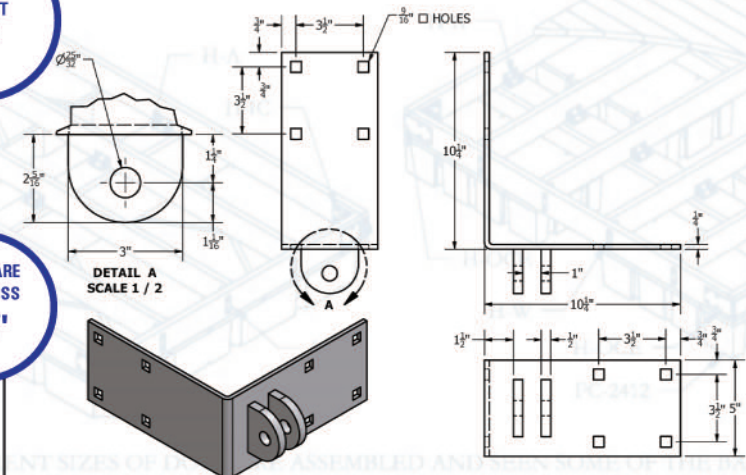
Outside Corner Male (H-OCM) has one 1/2" tab and a hole for a 3/4" bolt or B-PIN. Would be used with an Outside Corner Female (H-OCF) or with a Single "T" Female (H-SF). **H-OCM Ship# 8**

HARDWARE HEIGHT
5"

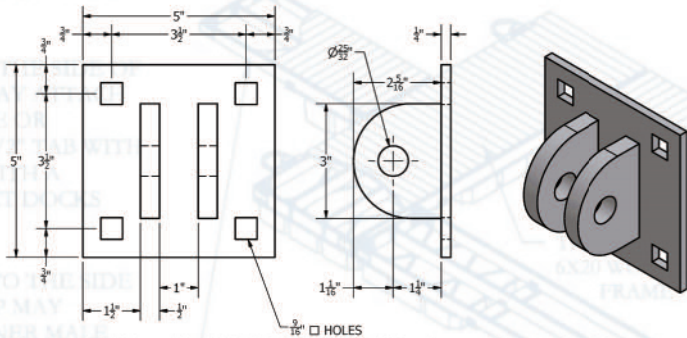
HARDWARE THICKNESS
1/4"



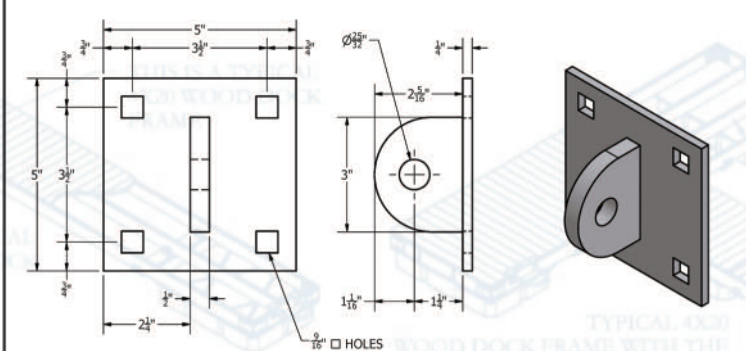
Inside Corner (H-IC) has slots and can be used with 1-1/2" - 3" thick wood. The inside corner sandwiches the wood between the opposite outside corner, keeping bolts from burying themselves in the wood. A corner gusset gives the unit a lot of strength and helps from racking the dock. **H-IC Ship# 7**



Outside Corner Female (H-OCF) has two 1/2" tabs and a hole for a 3/4" bolt or B-PIN. Would be used with an Outside Corner Male (H-OCM) or with a Single "T" Male (H-SM). **H-OCF Ship# 9**



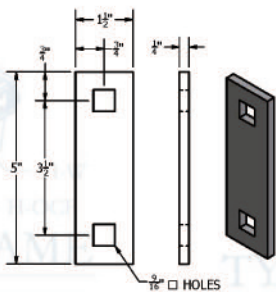
Single "T" Female (H-SF) has two 1/2" tabs and is used with an Outside Corner Male (H-OCM) or a Single "T" Male (H-SM). Both male and female singles can be bolted to the side of a dock to make finger attachments. They can also be bolted to seawalls to make ramps.
H-SF Ship# 4



Single "T" Male (H-SM) has one 1/2" tab and is used with an Outside Corner Female (H-OCF) or Single "T" Female (H-SF).
H-SM Ship# 3

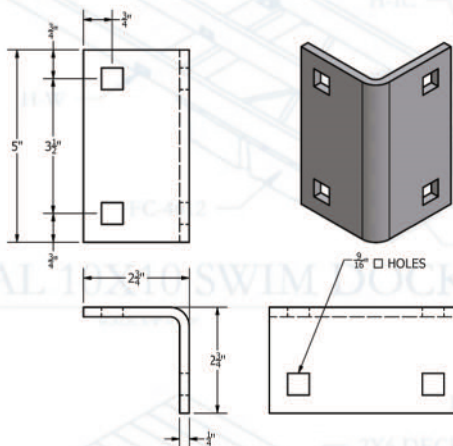


1/4" HOT DIPPED GALVANIZED WOOD DOCK HARDWARE

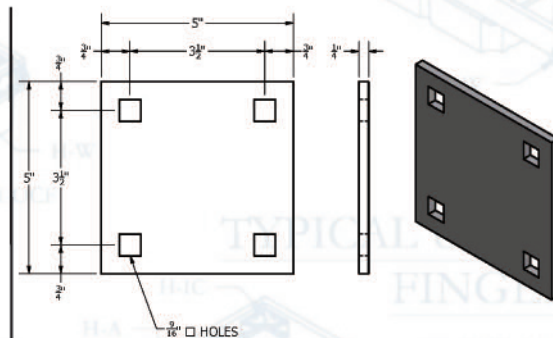


Washer Plates (H-W) are used mostly with Angles (H-A) and Cleat Angles (H-CA). The square hole in the plate keeps the carriage bolts from turning when the bolts are tightened.

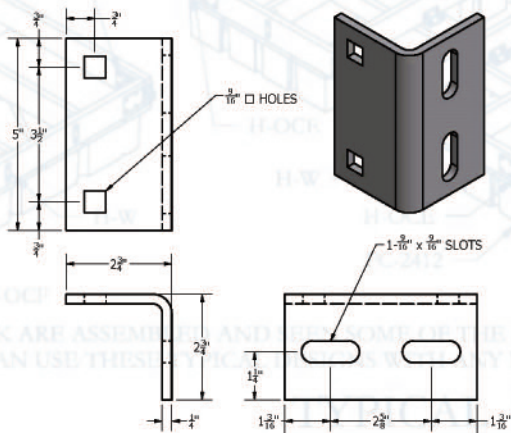
H-W Ship# 1



Angles (H-A) are used to hold all cross stringers to side stringers using a Washer Plate (H-W). The wood is sandwiched between the steel and creates a solid corner. H-A Ship# 2



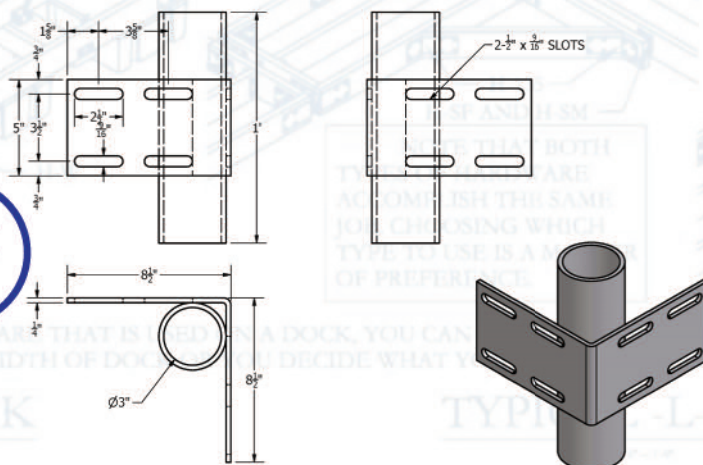
Backup Plates (H-B) are used with Single "T" Males (H-SM) and Single "T" Females (H-SF) for additional strength and to keep bolts from pulling through the wood. H-B Ship# 2



Cleat Angles (H-CA) have slots for various sizes of cleats. The cleat angle is bolted to the side stringer using a Washer Plate (H-W). The cleat is then bolted through the deck into the cleat angle. This keeps the cleat from pulling out of the deck.

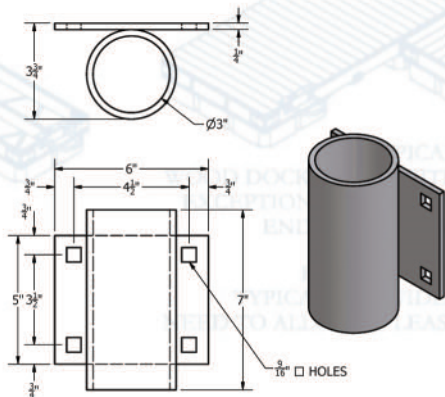
H-CA Ship# 2

HARDWARE THICKNESS
1/4"



Inside Corner/3" I.D. Pipe Holder (H-IC3) has a 3" I.D. pipe holder welded in place. It can be used to replace a regular inside corner. It will accommodate a 2" I.D. pipe.

H-IC3 Ship# 13

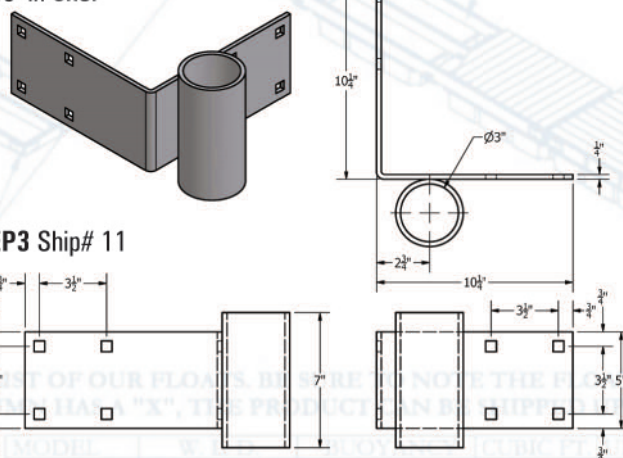


3" Pipe Holder (P-3) can bolt to the side stringer and uses 2" standard pipe to anchor docks in place.

P-3 Ship# 6

3" Pipe Holder (H-OCEP3) outside corner end with a pipe holder welded to the end. 3" opening for 2" pipe. Save money by getting 2 pieces of hardware in one.

H-OCEP3 Ship# 11



All of the projects below were constructed using our wood dock hardware systems found on pages 8-17



State park in Ohio



Floating Platform in Ohio



Homeowners Dock in New Hampshire



Wood Dock Sections Ready to Ship



Pier and Wood Ramp in Maryland



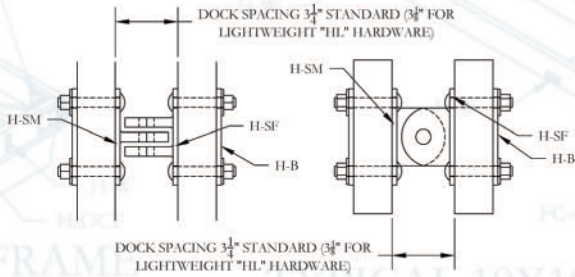
Homeowners Dock in Pennsylvania



Launch Ramp Dock in West Virginia



SPECIAL USE WOOD DOCK HARDWARE

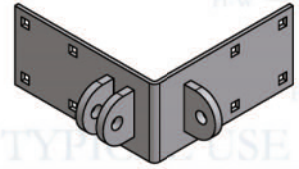


Typical Wood Dock Hardware Spacing.

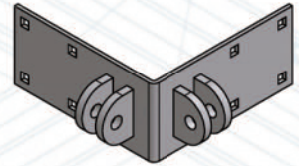
The detail to the left shows typical wood dock hardware. This applies to all dock hardware where we use our 3/4" pin (B-PIN), including our truss frame dock hardware. It does not apply to our HD wood dock hardware.

Note: Measurements for corners below are the same as on page 8 for H series or page 12 for HL series

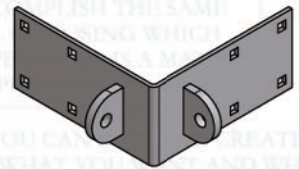
Typical Wood Dock Hardware Rotation: Our H and HL wood dock hardware can rotate up or down 58° giving our hinge (by itself) a total of 116° of rotation. Several factors limit this rotation including float size and placement, decking thickness, frame materials, and more. If you use 2x8 framing and have a 12" deep float at the end of your sections the rotation is limited to 14° down and 50° up. If you use the same setup and hold the floats 6" away from the ends of sections you can get 50° up or down.



Male/Female Outside Corner
H-OCFM Ship# 10
HL-OCFM Ship# 7
Light Wt. Not Pictured



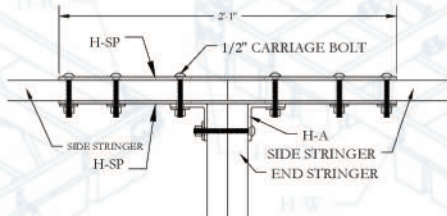
Female/Female Outside Corner
H-OCFF Ship# 11
HL-OCFF Ship# 8
Light Wt. Not Pictured



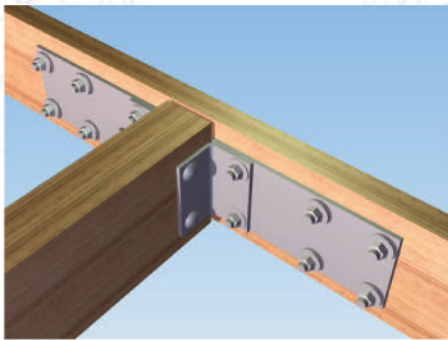
Male/Male Outside Corner
H-OCMM Ship# 9
HL-OCMM Ship# 6
Light Wt. Not Pictured

SPECIAL USE HARDWARE

SPLICE PLATES



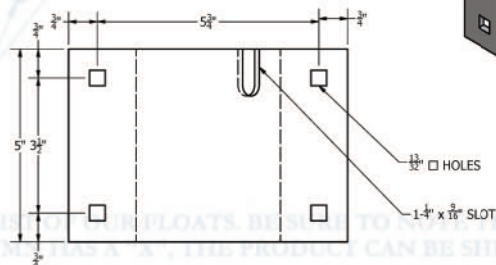
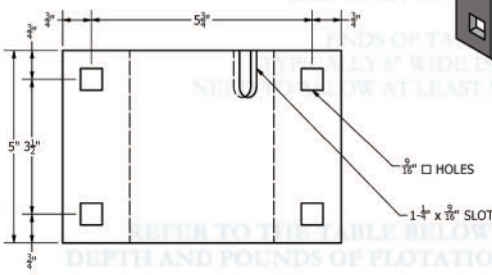
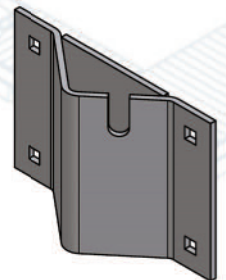
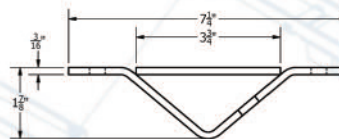
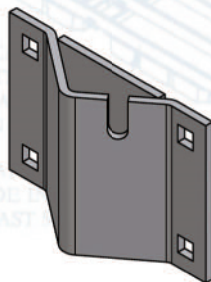
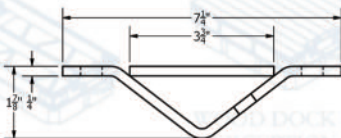
Splice plates measure 5" x 25" x 1/4" and are designed to join two timbers together. One is used on each side. Bolt placement is designed so that an angle and 1-1/2" lumber can be added at the splice and end up at the end of the splice. Note: H-SP uses H grade hardware with 1/2" carriage bolts, HL-SP uses HL grade hardware with 3/8" carriage bolts.



H-SP Ship# 18 Set of 2
HL-SP Ship# 18 Set of 2

CHAIN RETAINERS

Chain Retainers bolt to the side of the dock and use chain to hold a dock in place. Use chain up to 3/8" and two washer plates to reinforce.



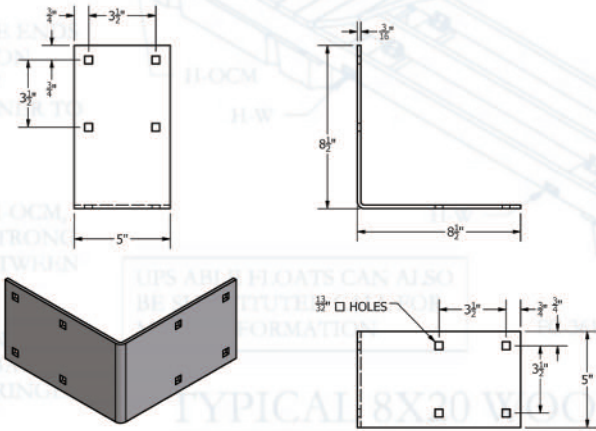
H-CR Ship# 5

HL-CR Ship# 4

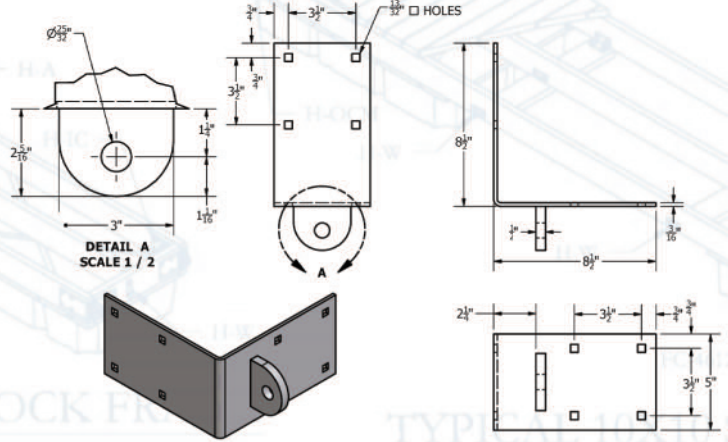


HOMEOWNERS WOOD DOCK HARDWARE

MADE WITH 3/16" HIGH STRENGTH STEEL THEN HOT DIPPED GALVANIZED

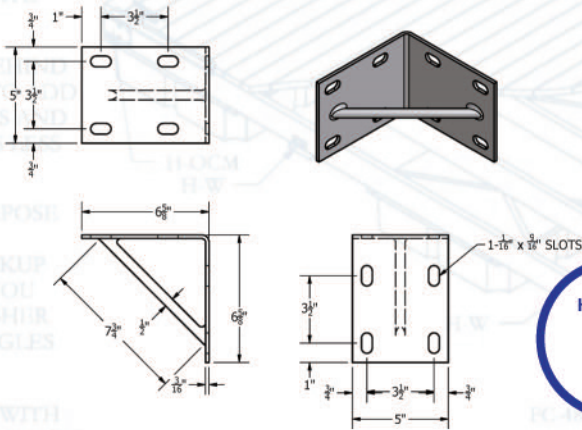


Outside Corner End (HL-OCE) is used at end of fingers or docks. Good for swim floats. **HL-OCE Ship# 4-1/2**



Outside Corner Male (HL-OCM) has one 1/2" tab with a hole for 3/4" bolt or pin. Use with HL-OCF or HL-SF. **HL-OCM Ship# 5**

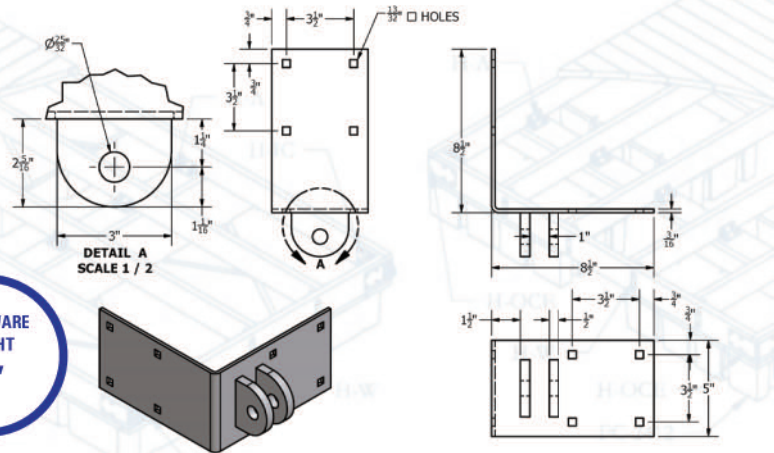
LIGHT WOOD DOCK



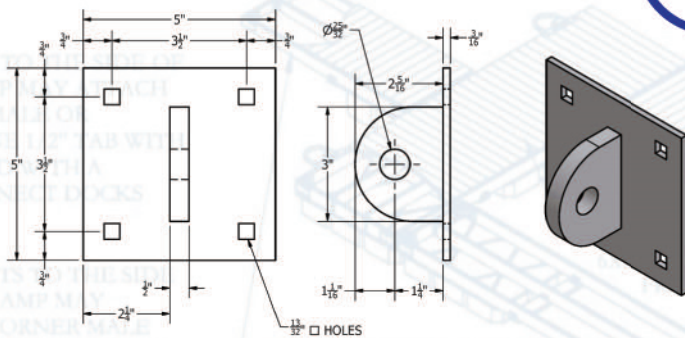
Inside Corner (HL-IC) is used with an outside corner to sandwich the wood corner gusset adds strength to dock. **HL-IC Ship# 5**

HARDWARE HEIGHT
5"

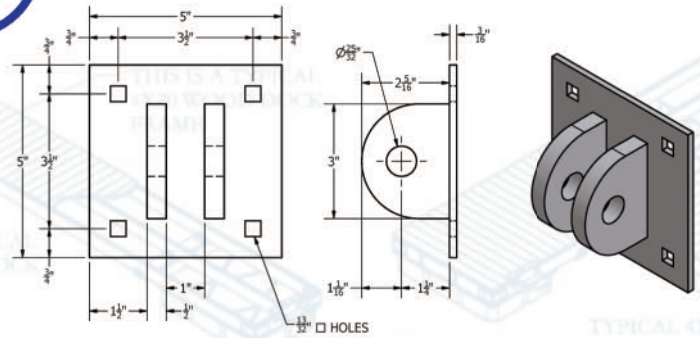
HARDWARE THICKNESS
3/16"



Outside Corner Female (HL-OCF) has two 1/2" tabs with a hole for 3/4" bolt or B-PIN. Use with HL-OCM or HL-SM. **HL-OCF Ship# 6-1/2**



Single "T" Male (HL-SM) has one 1/2" tab with a hole for 3/4" bolt or B-PIN. Use with HL-OCF or HL-SF. **HL-SM Ship# 3**

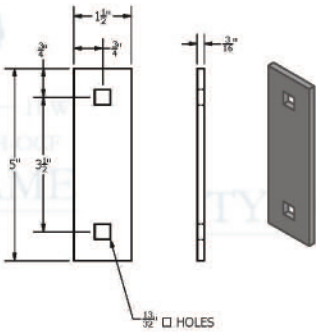


Single "T" Female (HL-SF) has two 1/2" tabs with a hole for 3/4" bolt or B-PIN. Bolts to side of dock to attach fingers. Use also for ramps. **HL-SF Ship# 4**

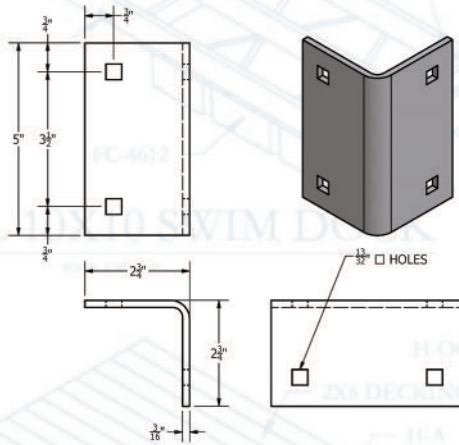


HOMEOWNERS WOOD DOCK HARDWARE

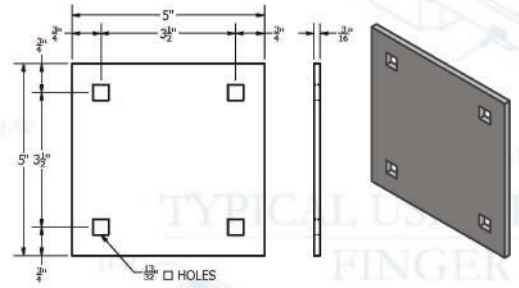
MADE WITH 3/16" HIGH STRENGTH STEEL THEN HOT DIPPED GALVANIZED



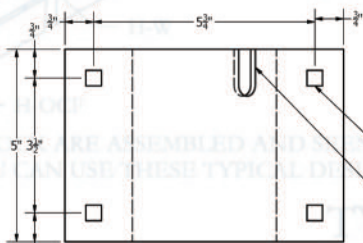
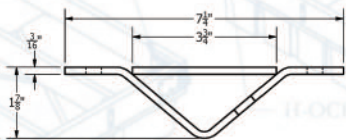
Washer Plates (HL-W) are used with angles two with each angle.
HL-W Ship# 1/2



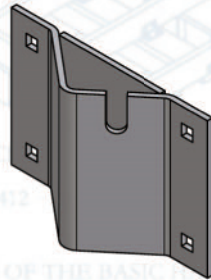
Angles (HL-A) are used with cross stringers use with two HL-W.
HL-A Ship# 1-1/2



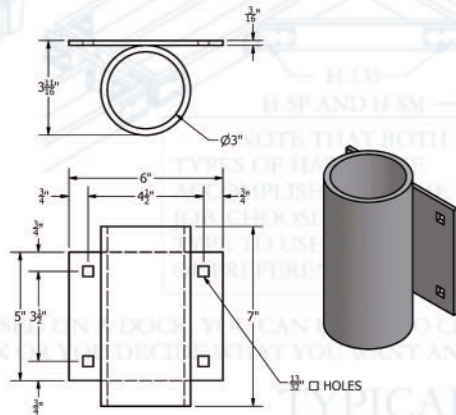
Backup Plate (HL-B) is used for additional strength behind HL-SM and HL-SF.
HL-B Ship# 1-1/2



Chain Retainer (HL-CR) bolts to side of dock and uses chain to hold dock in place. Use chain up to 3/8". Use two HL-W as back-up plates.
HL-CR Ship# 4

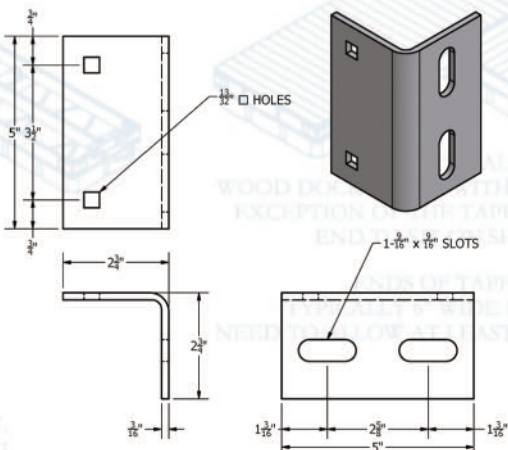


HARDWARE THICKNESS
3/16"



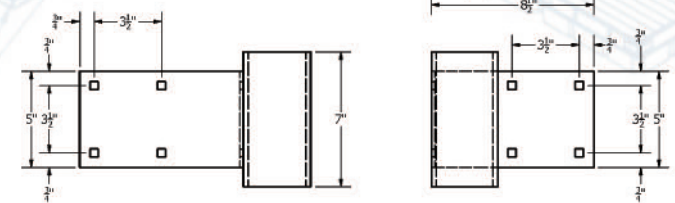
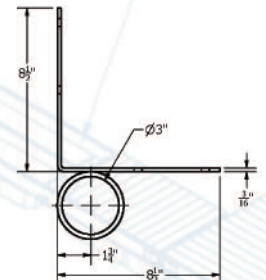
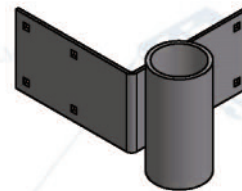
3" Pipe Holder (PL-3) bolts to side of dock. Uses two HL-W as backup Plates. Uses 2" pipe to hold dock in place.
PL-3 Ship# 5

LIGHT WOOD DOCK



Cleat Angle (HL-CA) has slots to accommodate various size cleats and keeps cleats from pulling out. Use HL-W as backup plates.

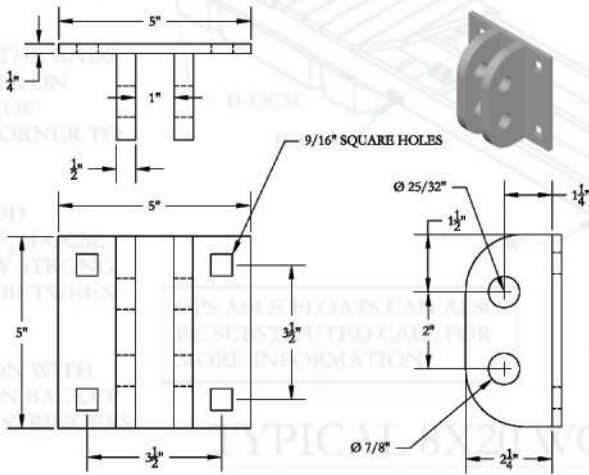
HL-CA Ship# 1-1/2



Homeowners outside corner end 3" pipe. (HL-OCEP3) Use with 2" ID SCH 40 pipe. **HL-OCEP3 Ship#7**



NON-ARTICULATING WOOD DOCK HARDWARE



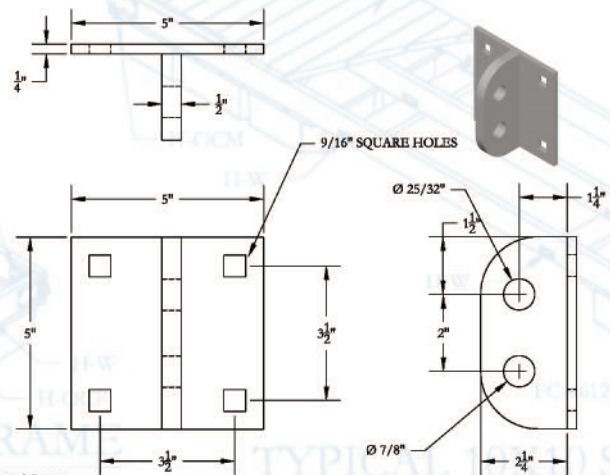
H-NASF Ship# 5

Use our non-articulating wood dock hardware on your wood frame floating boat docks to replace our standard H-SM, H-SF, H-OCM, and H-OCF hardware. The non-articulating style hardware allows for easy dock section connection but it won't allow the sections to articulate or hinge at the connection point. Use in no wave areas.

STIFF CONNECTION

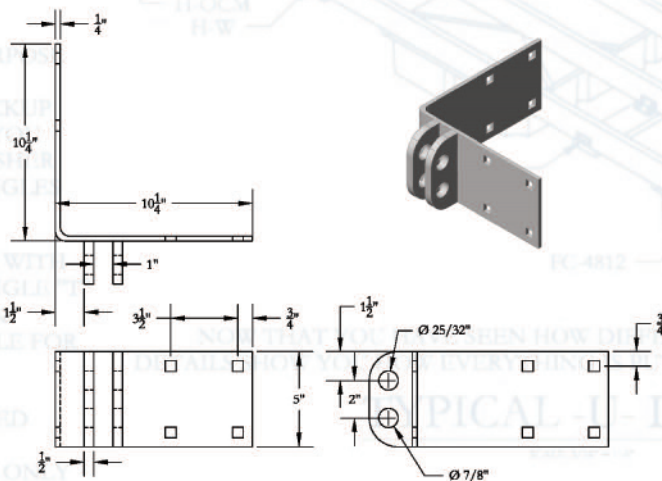
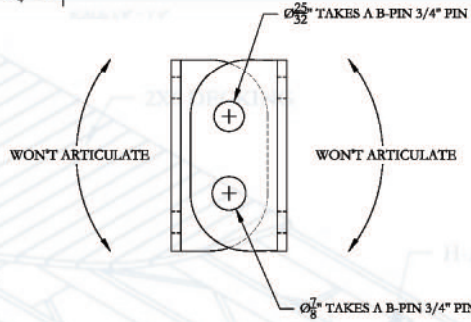
WON'T HINGE

EASY PIN CONNECTIONS

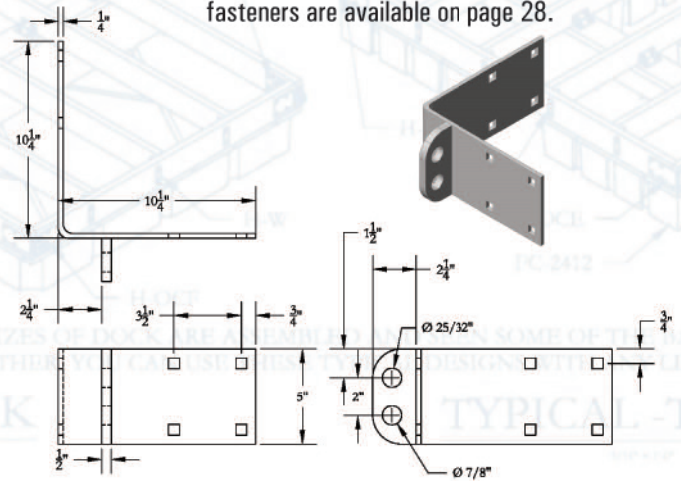


H-NASM Ship# 4

The non-articulating hardware is compatible with our standard wood dock hardware H-IC Inside Corners and H-B Backup plates using two B-PIN 3/4" pins. The two different pin hole sizes allow a small tolerance for ease of assembly. The 9/16" square holes accept a 1/2" carriage bolt. Hot dipped galvanized after fabrication. All of the fasteners are available on page 28.



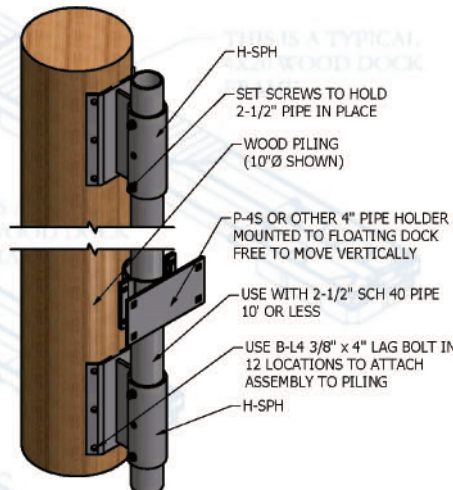
H-NAOCF Ship# 10



H-NAOCM Ship# 9

H-SPH

Our H-SPH stationary pipe holder is designed to be used where you have a floating dock near a fixed piling or pier, when you have only a small amount of water level fluctuation. Mount two H-SPH brackets to the piling. Run a 2-1/2" SCH 40 pipe between the brackets and lock in place with the provided set screws. Then mount a P-4S to your floating dock and attach the dock to the piling using the 2-1/2" pipe and P-4S.



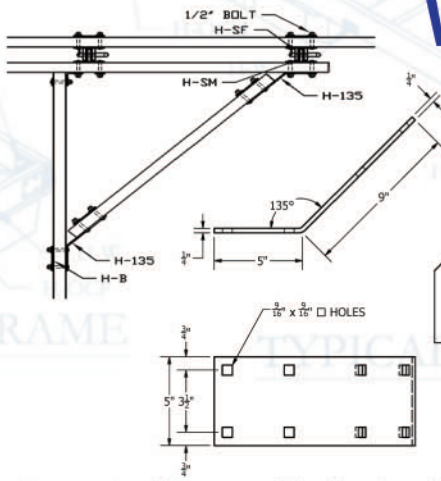
Great for attaching floating dock to stationary dock.

H-SPH Ship# 12
(two needed per assembly shown)
P-4S Ship# 10
You provide the 2-1/2" Sch 40 pipe.

NON-ARTICULATING



WOOD DOCK HARDWARE



Using our **H-135** hardware, you can easily construct a finger stabilizer. Use H-SF and H-SM to complete the job. Finger stabilizers, especially on narrow

fingers, tend to spread the load on the main dock side stringers.
H-135 135 Angle Ship# 5



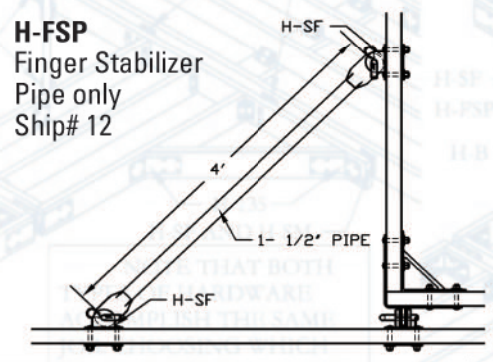
Using our ramp-it hinge set, you can easily construct your own wooden ramp. These hinges come in sets (4 plates and the 2 bolts that act as pins) and are constructed from 1/4" plate and galvanized. They allow the ramp to go down no more than 30° (rotate up more than 180°) - use 3/8" carriage bolts. For ramps 12' or less.

H-HS Hinge Set Ship# 12

PIPE TYPE FINGER STABILIZER

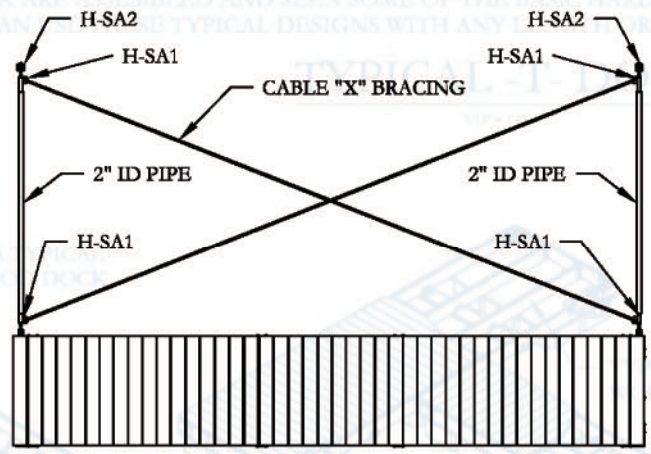
Our pipe type finger stabilizer (H-FSP) is used to help stabilize fingers coming off a main dock. It can be used with many different types of docks.

For wood dock you will need 2 H-SF Single "T" Female or 2-HL-SF Lightweight Single "T" Female and 1-1/2" pipe. Attach pipe to H-SF or HL-SF with either a B-Pin or B-HB3 bolts. For truss docks you need basically the same hardware as you would use for wood dock except you would need to add an H-AP (page 56).

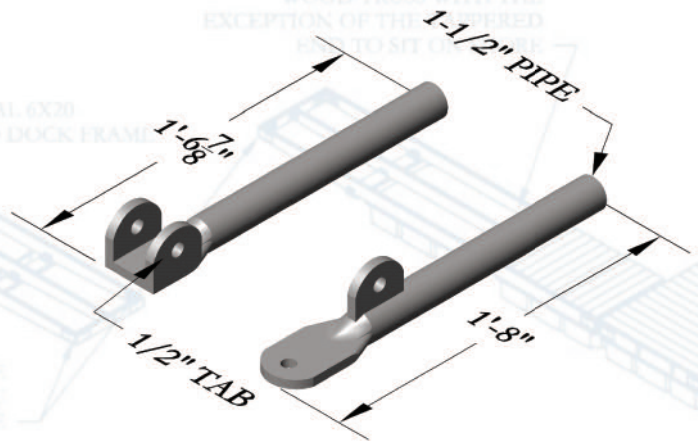
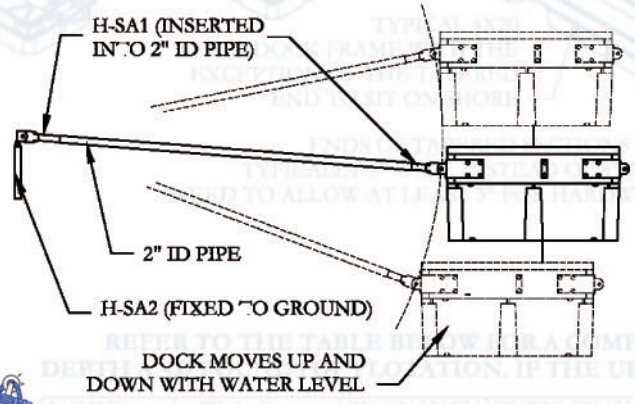


H-FSP
 Finger Stabilizer
 Pipe only
 Ship# 12

STIFF ARMS



This is a convenient way to hold a dock in place without pile or pipe. Using our two stiff arm fittings below you can make a stiff arm assembly. The H-SA2 thru bolts into a 2" pipe which is in the ground on shore. Two of the H-SA1's are thru bolted in both ends of another 2" Pipe to go between shore and your dock. Tabs included on the side provide a place for the cable "x" bracing. You supply the 2" pipe, cable and clamps.



H-SA2
 Ship# 5
 (Mounts on shore)

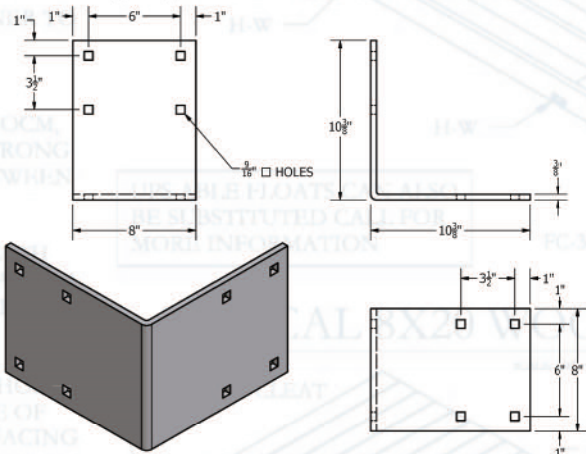
H-SA1
 Ship# 5
 (Mounts on 2" pipe to your dock)

FINGERS AND STIFF ARMS

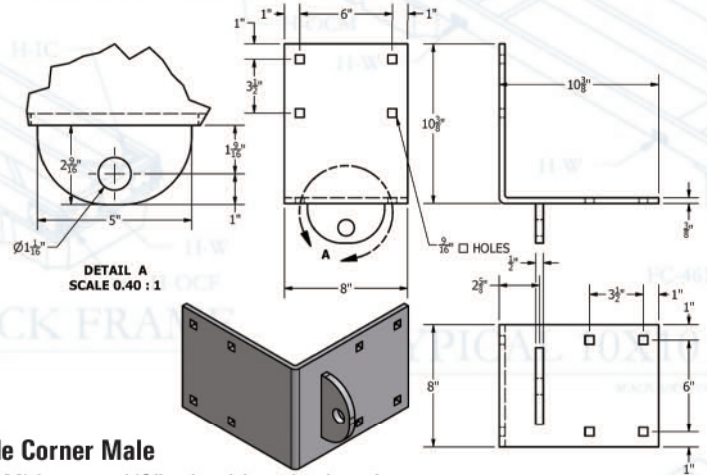
HEAVY DUTY WOOD DOCK HARDWARE

MADE WITH 3/8" HIGH STRENGTH STEEL THEN HOT DIPPED GALVANIZED

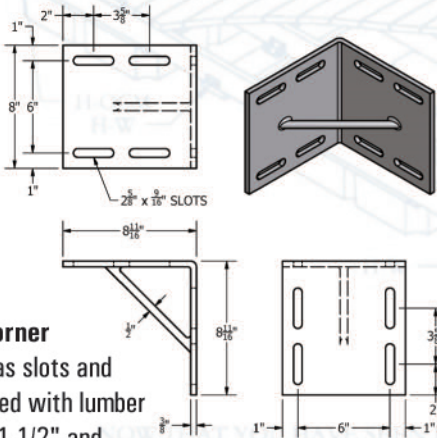
Mercob developed this 3/8" thick hardware for tough areas for wood dock. The hardware is 8" tall and uses 1/2" carriage bolts. Requires a minimum of 2" x 10" lumber and a maximum lumber thickness of 3-1/2". Use a B-HB15 bolt or a B-PIN3 (both on page 28) for pin connectors. All parts are hot dipped galvanized after fabrication. Note: Our Heavy Duty Hardware will not work with other hardware.



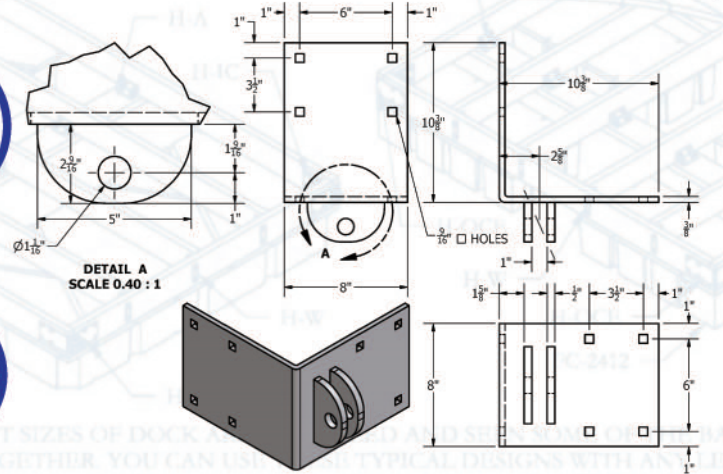
Outside Corner End (HD-OCE) is used at the ends of fingers, end of docks or for large platform corners.
HD-OCE Ship# 17



Outside Corner Male (HD-OCM) has one 1/2" tab with a pin size of 1". Use with an Outside Corner Female (HD-OCF) or with a Single "T" Female (HD-SF). **HD-OCM Ship# 19**

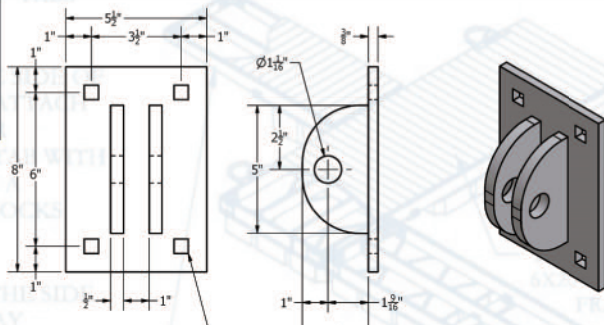


Inside Corner (HD-IC) has slots and can be used with lumber between 1-1/2" and 3-1/2". The inside corner sandwiches the wood between an outside corner and produces an extremely strong corner. The round corner gusset is stronger than a flat and helps the dock from racking. **HD-IC Ship# 16**

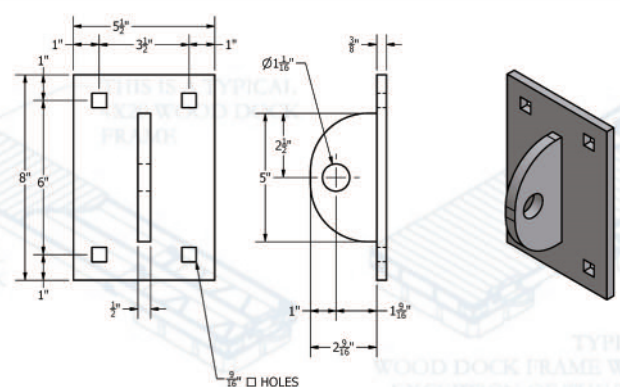


Outside Corner Female (HD-OCF) has two 1/2" tabs with a pin size of 1". Use with an Outside Corner Male (HD-OCM) or with a Single "T" Male (HD-SM). **HD-OCF Ship# 21**

HEAVY DUTY WOOD DOCK



Single "T" Female (HD-SF) has two 1/2" tabs and is used with (HD-OCM) or HD-SM. Both Single "T"'s can be bolted to the side of a dock to make finger attachments. Use with a backup plate (HD-B). Bolt to seawalls to make ramps. **HD-SF Ship# 8**

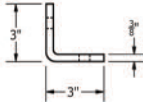
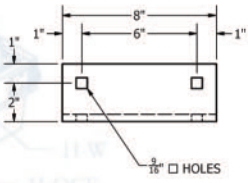


Single "T" Male (HD-SM) has one 1/2" tab and is used with (HD-OCF) or (HD-SF). Both Single "T"'s can be bolted to the side of a dock to make finger attachments. Use with a backup plate (HD-B). **HD-SM Ship# 6**

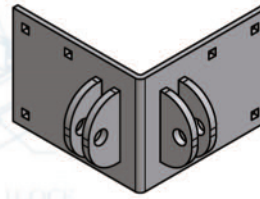
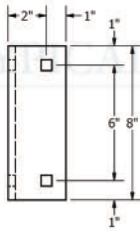


HEAVY DUTY WOOD DOCK HARDWARE

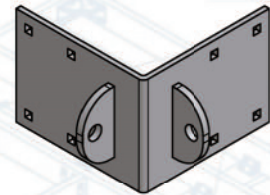
MADE WITH 3/8" HIGH STRENGTH STEEL THEN HOT DIPPED GALVANIZED



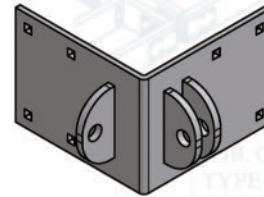
Angles (HD-A) are used to hold all cross stringers in place. Use a Washer Plate (HD-W) to sandwich the wood between the angles and washer plate.
HD-A Ship# 5



**Female/Female Outside Corner
 HD-OCFF Ship# 23**



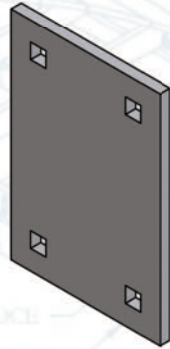
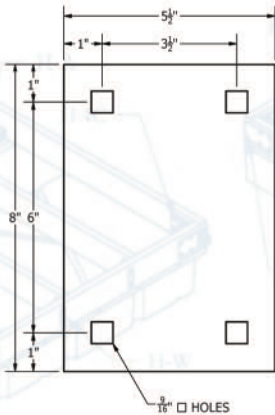
**Male/Male Outside Corner
 HD-OCMM Ship# 20**



**Male/Female Outside Corner
 HD-OCMF Ship# 21**

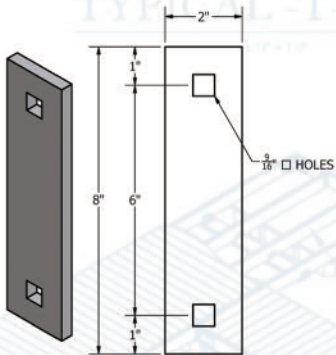
**HARDWARE HEIGHT
 8"**

**HARDWARE THICKNESS
 3/8"**



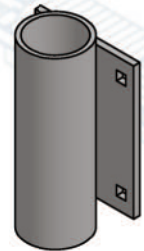
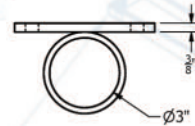
Backup Plate (HD-B) are used with Single "T"s to keep bolts from pulling through the wood.
HD-B Ship# 5

Washer Plates (HD-W) are used primarily with Angles (HD-A) and Cleft Angles (HD-CA). The square hole keeps the carriage bolt from turning.
HD-W Ship# 2

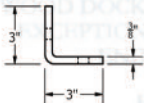
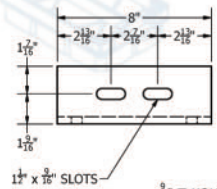


This heavy duty 3" pipe holder (HD-P3) bolts to the side of a dock using four 1/2" carriage bolts. Backed by 2 heavy duty washer plates (HD-W). Can use 2" pipe to hold a dock in place.

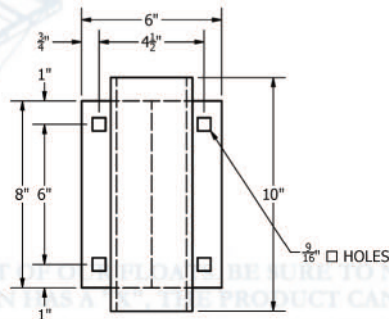
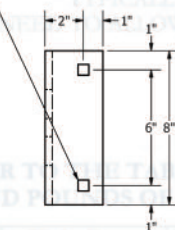
HD-P3 Ship# 12



*Fasteners
 Page 28*



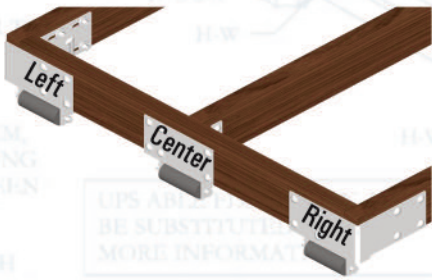
Cleft Angles (HD-CA) are used to accommodate various size cleats. They are mounted under the deck and keep cleats from pulling out.
HD-CA Ship# 5



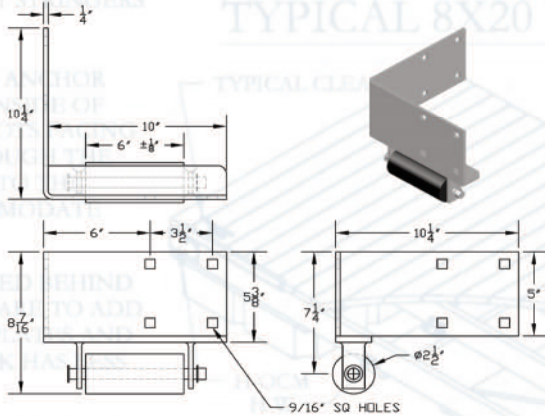
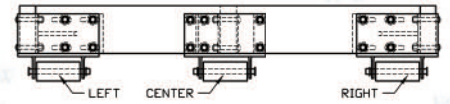
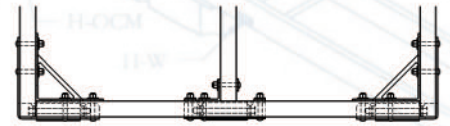
HEAVY DUTY WOOD DOCK

RAMP HARDWARE

Build a ramp using our ramp kit. Wider ramps can be built by buying additional center roller sections. Merco offers both regular 1/4" hardware and 3/16" homeowners. For ramps longer than 10', use 1/4" hardware. Use center roller every 2'. Extra holes in center allows use of an angle for the adjacent stringer. Rollers are made with UHMW for long wear. Use 1/2" carriage bolts on 1/4" hardware and 3/8" carriage bolts on 3/16" hardware - hot dipped galvanized.

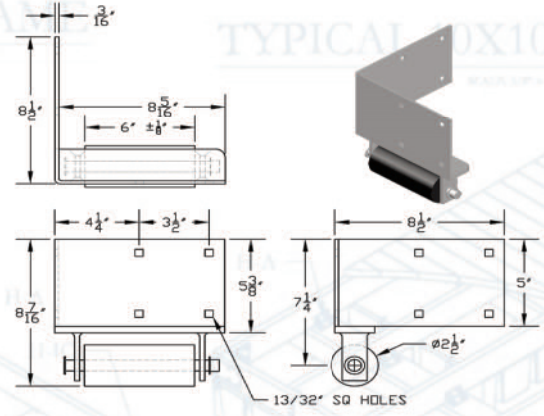


See replacement parts and UHMW (H-RU) roller on page 19 under "Roller Assembly."



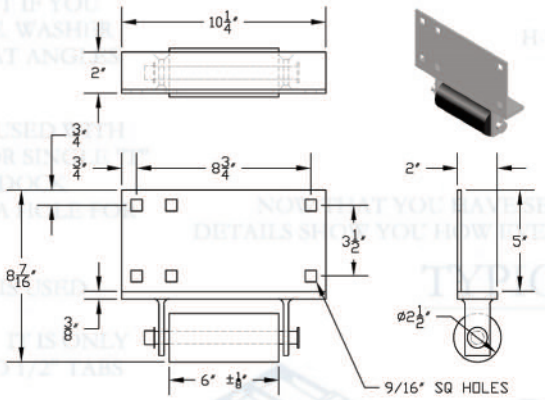
H-RAMPL
1/4" Standard
Ship# 11

USE BOLT SIZE
1/2"



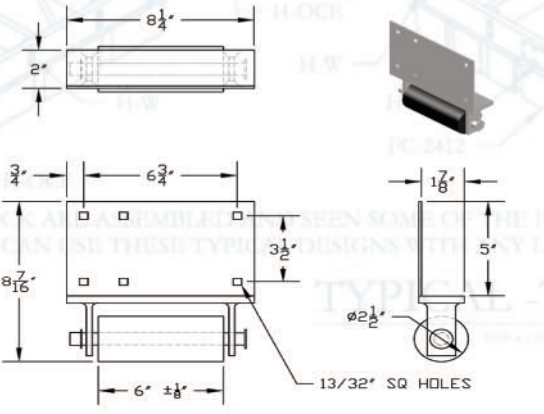
HL-RAMPL
3/16" Light
Ship# 9

USE BOLT SIZE
3/8"



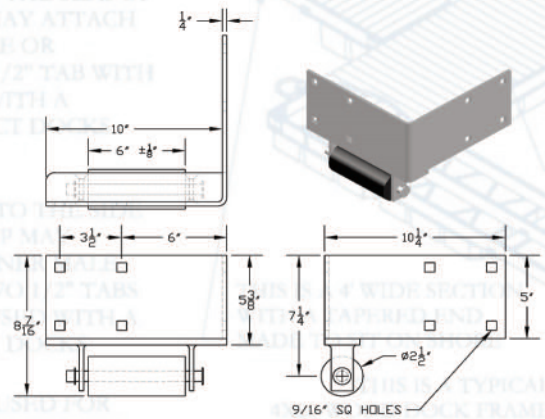
H-RAMPC
1/4" Standard
Ship# 8

HARDWARE THICKNESS
1/4"

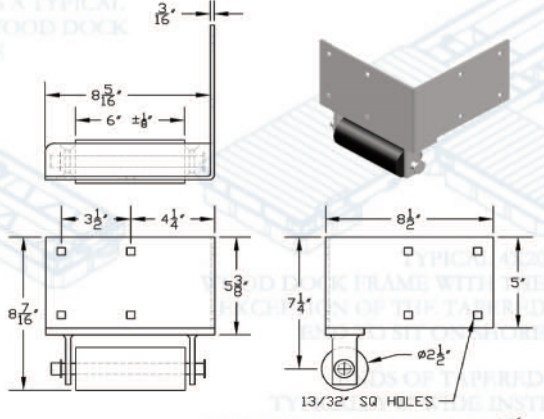


HL-RAMPC
3/16" Light
Ship# 6

HARDWARE THICKNESS
3/16"



H-RAMPR
1/4" Standard
Ship# 11



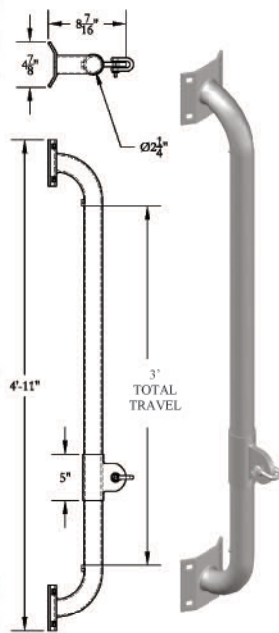
HL-RAMPR
3/16" Light
Ship# 9



TIDE RISER™

Merco's Tide Riser is hot dipped galvanized and made from 1-1/2" pipe with two 1/4" x 5" x 5" flanges to bolt to the wooden pile. The riser will travel approximately 3' and has a 1/2" tab welded to the sliding sleeve. Includes a clevis for easy attachment to the rope.

H-TR Ship# 18



GRAB HANDLES

Merco carries several types of grab handles. The H-DGH and H-GH and are made of galvanized steel. The AH-BH is aluminum.

H-GH Ship# 16

H-DGH Ship# 17

AH-BH Ship# 6

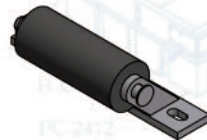
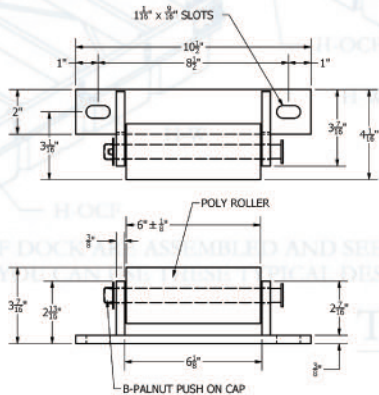


See more detail at

www.mercomarine.com/Dock-Accessories/Grab-Handle

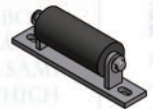
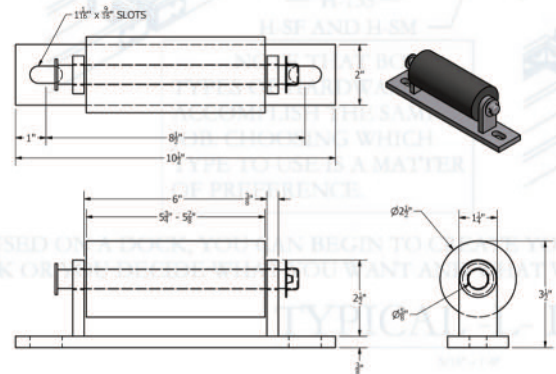
HANDLES AND ROLLERS

H-RA & H-RAU ROLLER ASSEMBLIES H-RA4



The Roller Assembly on the left comes standard on most of our pile guides.

The Roller Assembly on the right comes standard with our adjustable pile guide on page 25.

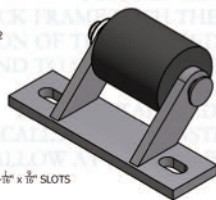
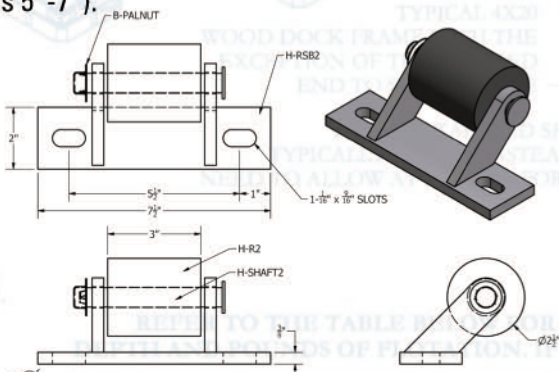


ROLLER DIAMETER ON ALL OF OUR ROLLER ASSEMBLIES IS 2-1/2"

Our roller assemblies can be used not only on pile guides but just about anywhere on your dock where you want something to roll such as under ramps. Replace POLY roller with a UHMW (ultra high molecular weight) polyethylene black roller for tough areas. Should you need additional parts for any of our Roller Assemblies, see below.

H-RA2

The Roller assembly below is a shorter 3" version of our standard H-RA that is used on our smaller internal pile guides on page 20 (Internal pile guide sizes 5"-7").



Complete Assemblies

H-RA	6" Roller Assembly — POLY	Ship# 4
H-RAU	6" Roller Assembly—UHMW	Ship# 5
H-RA2	3" Roller Assembly—POLY	Ship# 3
H-RA4	6" Roller Assembly—FLAT— POLY	Ship# 4

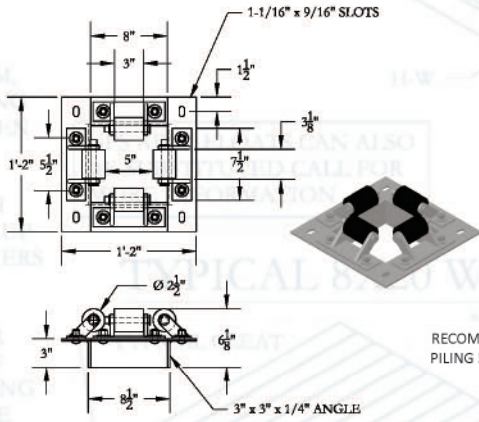
Individual Parts that make up the Assemblies

H-R	6" POLY Roller	Ship# 1
H-RU	6" UHMW Roller	Ship# 1
H-R2	3" POLY Roller	Ship# 1
H-RSB	Galvanized Steel Bracket for H-RA	Ship# 3
H-RSB2	Galvanized Steel Bracket for H-RA2	Ship# 2
H-RSB4	Galvanized Steel Bracket for H-RA4	Ship# 3
H-SHAFT	Roller Assembly Shaft for ALL 6" Rollers	Ship# 1
H-SHAFT2	Roller Assembly Shaft for 3" Rollers	Ship# 1
B-PALNUT	"Hat" type cap retainer for ALL shafts	Ship# 1



SQUARE INTERNAL PILE GUIDES

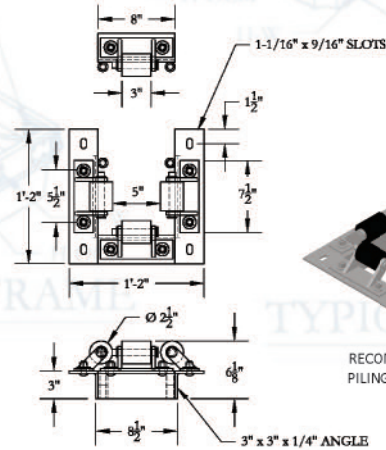
The internal square pile holders are made from 3" x 3" x 1/4" angle and have four poly rollers included. (UHMW - hard rollers available upon request at an additional charge.) The 5" and 7" sizes have 3" rollers and all the larger sizes have 6" rollers. The pile guide is hot dipped galvanized after fabrication. The "R" denotes one side removable. All of our internal pile guides come complete with all the necessary rollers and hardware preassembled. Should you need replacement parts see page 19.



HP-5IN Ship# 29

RECOMMENDED USE FOR PILING 3" IN DIA. OR LESS.

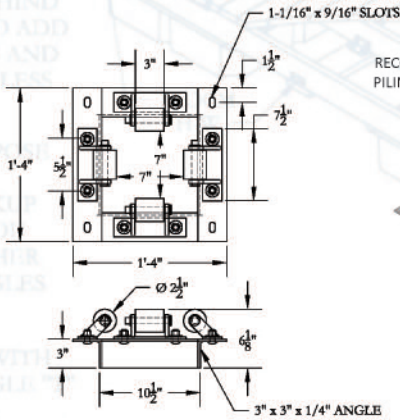
Replacement Roller Assembly Parts for 5"-7" see page 19. (H-RA2)



HP-5INR Ship# 31

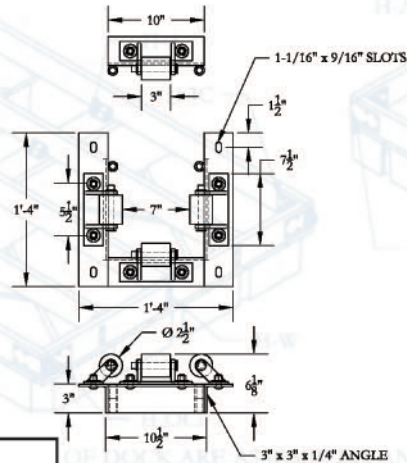
RECOMMENDED USE FOR PILING 3" IN DIA. OR LESS.

INTERNAL PILE GUIDES



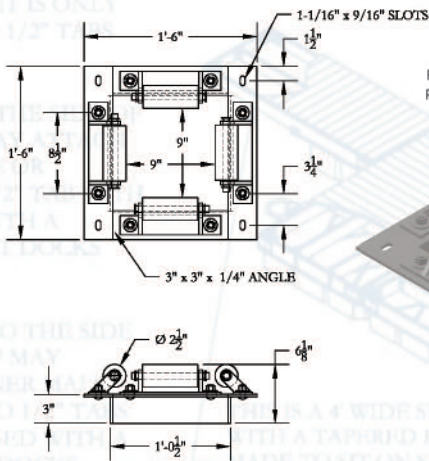
HP-7IN Ship# 32

RECOMMENDED USE FOR PILING 5" IN DIA. OR LESS.



HP-7INR Ship# 34

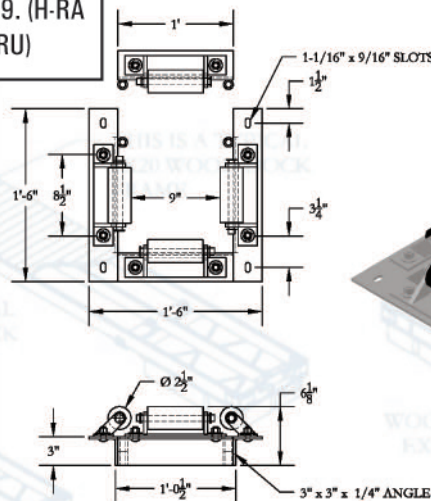
RECOMMENDED USE FOR PILING 5" IN DIA. OR LESS.



HP-9IN Ship# 41

RECOMMENDED USE FOR PILING 7" IN DIA. OR LESS.

Replacement Roller Assembly Parts for 9" and larger hoops see page 19. (H-RA or H-RU)



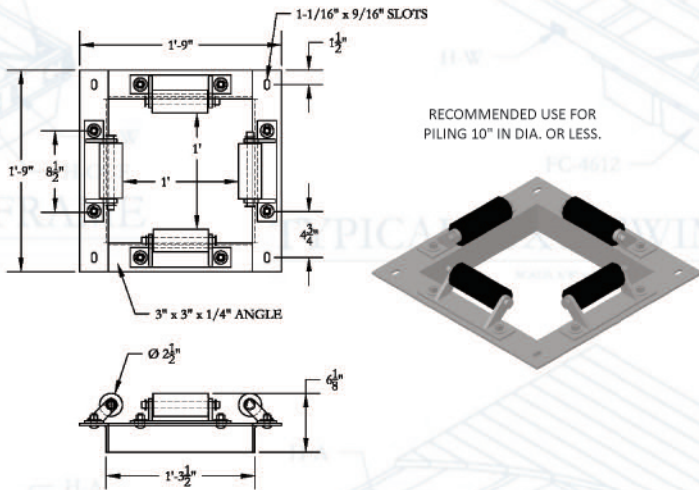
HP-9INR Ship# 43

RECOMMENDED USE FOR PILING 7" IN DIA. OR LESS.

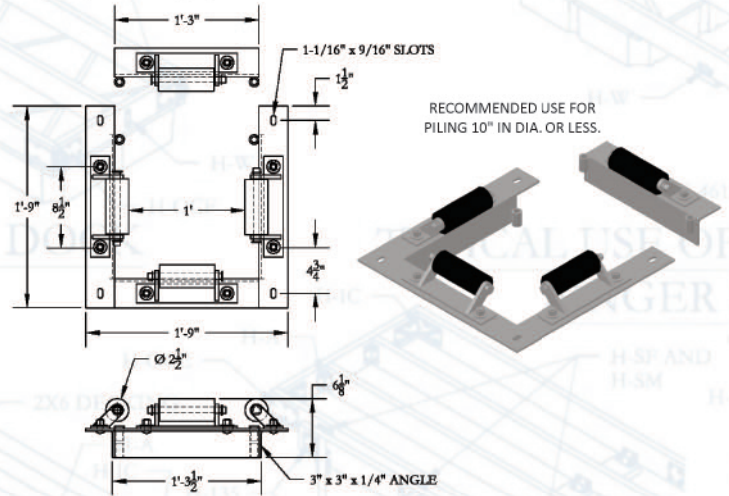


SQUARE INTERNAL PILE GUIDES

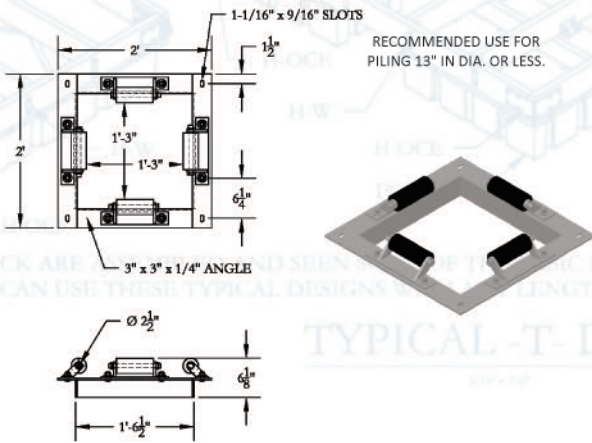
For replacement roller assembly or parts see page 19.



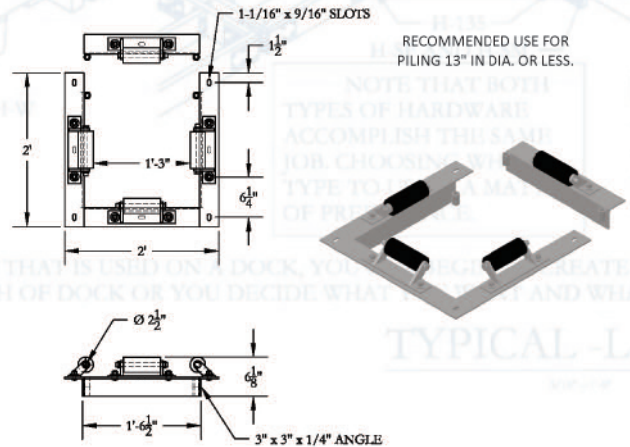
HP-12IN Ship# 42



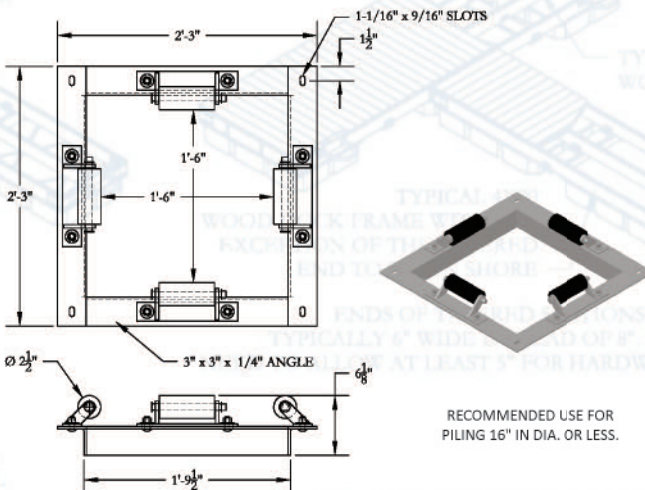
HP-12INR Ship# 43



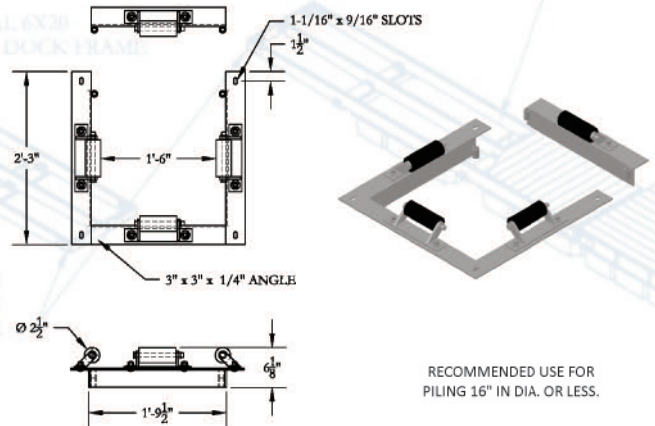
HP-15IN Ship# 53



HP-15INR Ship# 54



HP-18IN Ship# 58



HP-18INR Ship# 59

INTERNAL PILE GUIDES



HOOP PILE HOLDERS

Our convertible Hoop Pile Holders have 3 basic pieces, a deck plate, a hoop and a roller assembly. This allows you to have a hoop pile holder the way you want it, whether it be a permanent hoop, a removable hoop or a hoop with a roller. You can use the roller assembly on the deck plate or bolt it directly to the dock. All parts are hot dipped galvanized. Add a UHMW Roller to any assembly as shown at the bottom of page 19. All assemblies include a deck plate, hoop, roller assembly, and 6 carriage bolts. Fasteners required to bolt to your dock sold separately on page 28.

Assembly Number	Assembled Weight	Ø	L	L2	W	BH	BM	Hoop Number	Hoop Weight	Deck Plate Number	Deck Plate Weight
HP-H8R	25 lbs	8"	8 3/4"	10"	15 3/4"	9-3/4"	13 3/4"	HP-H8	8 lbs	HP-DP8	12 lbs
HP-H10R	28 lbs	10"	10 1/8"	11 3/8"	18 1/2"	12-1/2"	16 1/2"	HP-H10	8 lbs	HP-DP10	14 lbs
HP-H12R	30 lbs	12"	11 1/2"	12 3/4"	20 1/2"	14-1/2"	18 1/2"	HP-H12	10 lbs	HP-DP12	15 lbs
HP-H14R	32 lbs	14"	13 1/2"	14 3/4"	22 1/2"	16-1/2"	20 1/2"	HP-H14	10 lbs	HP-DP14	16 lbs
HP-H16R	35 lbs	16"	15 3/4"	17"	24"	18-1/2"	22"	HP-H16	12 lbs	HP-DP16	18 lbs
HP-H18R	37 lbs	18"	17 1/4"	18 1/2"	26"	20-1/2"	24"	HP-H18	13 lbs	HP-DP18	19 lbs
HP-H20R	38 lbs	20"	19 5/8"	20 7/8"	27 1/4"	21-7/8"	25 1/4"	HP-H20	13 lbs	HP-DP20	20 lbs

NOTES: ALL DIMENSIONS NOMINAL. DIAMETER TOLERANCE IS +/- 1/4". Ø = DIAMETER



HP-H8R



HP-H10R



HP-H12R



HP-H14R



HP-H16R



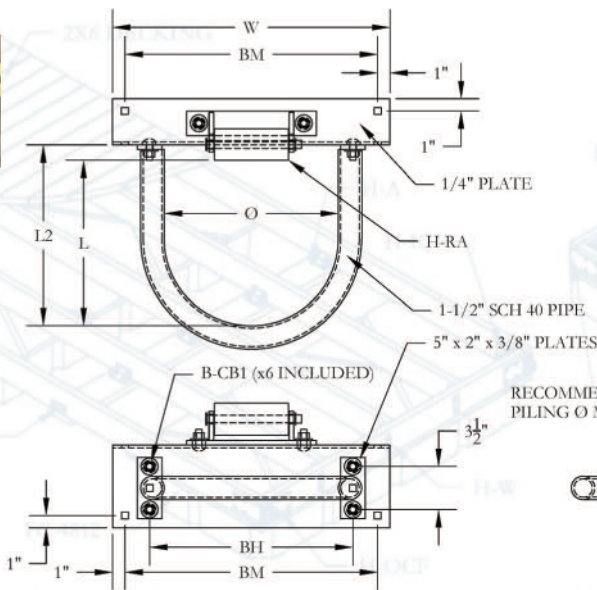
HP-H18R



HP-H20R

Circumference	Ø
9.42	3"
12.56	4"
15.7	5"
18.84	6"
21.98	7"
25.12	8"
28.26	9"
31.4	10"
34.54	11"
37.68	12"
40.82	13"
43.96	14"
47.1	15"
50.24	16"
53.38	17"
56.52	18"
59.66	19"
62.8	20"

Ø = DIAMETER



STRONGER DESIGN!

RECOMMENDED USE FOR PILING Ø MINUS 2" OR LESS

Our mounting plates are 5" x 2" x 3/8" which are welded to the hoop and are used to mount the hoop to the deck plate. Our mounting plates are 33% thicker and 25% wider than most other hoop mounting plates on the market.

An easy way to determine the diameter of your existing pipe or piling is to measure the circumference and divide by 3.14. We've done the math for you with our Circumference chart to the left.

Assembled Part Number	Hoop Number	Deck Plate Number
HP-H8R	HP-H8	HP-DP8
HP-H10R	HP-H10	HP-DP10
HP-H12R	HP-H12	HP-DP12
HP-H14R	HP-H14	HP-DP14
HP-H16R	HP-H16	HP-DP16
HP-H18R	HP-H18	HP-DP18
HP-H20R	HP-H20	HP-DP20



1-1/2" HOOP PILE HOLDERS



HEAVY HOOP PILE HOLDERS

Our convertible Hoop Pile Holders have 3 basic pieces, a dock bracket, a hoop and a roller assembly. This allows you to have a hoop pile holder the way you want it, whether it be a permanent hoop, a removable hoop or a hoop with a roller. All hoops on this page are 2" schedule 40 pipe. The dock brackets are 4" x 6" x 1/4" angle. The roller assembly features a 6" solid poly roller and can be bolted to the deck plate or directly to the dock. All parts are hot dipped galvanized. Add a UHMW Roller to any assembly as shown at the bottom of page 19.

RECOMMENDED USE FOR PILING 12" IN DIA. OR LESS.

HEAVY DUTY MOUNTING PLATES 2" x 5-1/2" x 3/8"

HP-H14-2 14" Hoop (2") 14
HP-DP14-2 Deck Plate 16

H-RA Roller Assembly 5
HP-H14R-2 Assembly Complete 36

RECOMMENDED USE FOR PILING 14" IN DIA. OR LESS.

HEAVY DUTY MOUNTING PLATES 2" x 5-1/2" x 3/8"

HP-H16-2 16" Hoop (2") 15
HP-DP16-2 Deck Plate 18

H-RA Roller Assembly 5
HP-H16R-2 Assembly Complete 39

RECOMMENDED USE FOR PILING 16" IN DIA. OR LESS.

HEAVY DUTY MOUNTING PLATES 2" x 5-1/2" x 3/8"

HP-H18-2 18" Hoop (2") 16
HP-DP18-2 Deck Plate 19

H-RA Roller Assembly 5
HP-H18R-2 Assembly Complete 41

RECOMMENDED USE FOR PILING 18" IN DIA. OR LESS.

HEAVY DUTY MOUNTING PLATES 2" x 5-1/2" x 3/8"

HP-H20-2 20" Hoop (2") 18
HP-DP20-2 Deck Plate 20

H-RA Roller Assembly 5
HP-H20R-2 Assembly Complete 44

STANDARD

CHAIN PILE GUIDES

LIGHT

Our standard chain pile guides come with a deck plate as on page 22 plus 3/8" hot dipped galvanized chain, clevis and 2" sch. 40 pipe rollers over the chain. Hot dipped galvanized. See page 19 to add a roller assembly.

Our L (light) series chain pile guides include everything as our standard chain pile guides except a lighter 1/4" chain, and 1-1/2" sch. 40 pipe rollers. See page 19 to add a roller assembly.

- HP-DP8C Ship# 21
- HP-DP10C Ship# 24
- HP-DP12C Ship# 27
- HP-DP14C Ship# 30
- HP-DP16C Ship# 33
- HP-DP18C Ship# 35



Our HP-DPTC is a single chain tab which comes standard with our chain pile guide assemblies.

SPECS (light & standard)		
Size	Roller QTY	Chain Links
8"	8	18
10"	10	21
12"	12	25
14"	14	29
16"	16	33
18"	18	37

- HP-DP8CL Ship# 17
- HP-DP10CL Ship# 20
- HP-DP12CL Ship# 22

Image is HP-DP8C- HP-DP18C series.

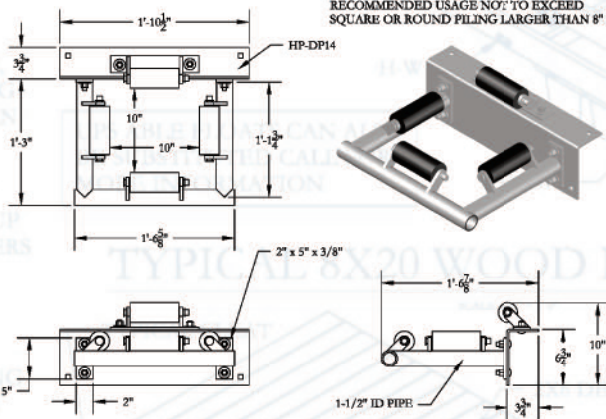
2" AND CHAIN PILE GUIDES



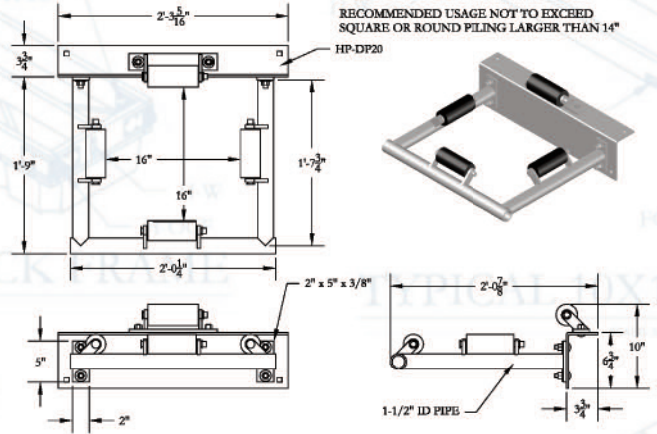
HEAVY DUTY!

SQUARE EXTERNAL PILE HOLDERS

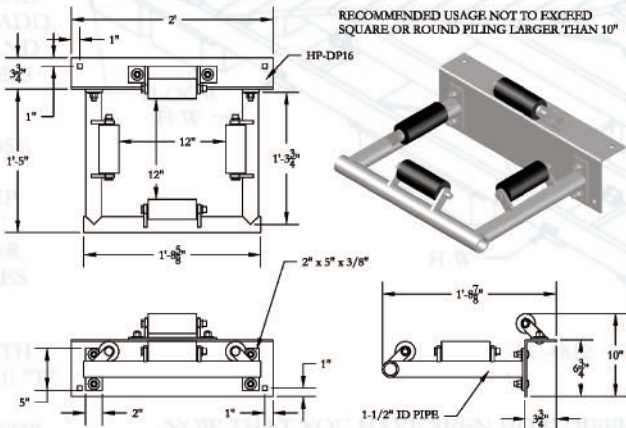
Merco Marine's heavy duty roller pile holders are made with 1-1/2" ID SCH 40 pipe and includes 4 - 6" rollers, deck plate and roller assembly. Merco offers custom sizes of these also - deck plates can be used on wood dock or truss frames. Add a UHMW Roller to any assembly as shown at the bottom of page 19.



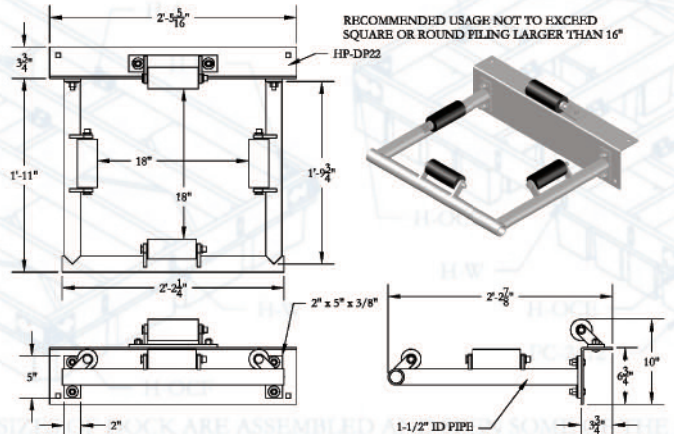
HP-10EX 10" Hoop Assembly Ship# 42



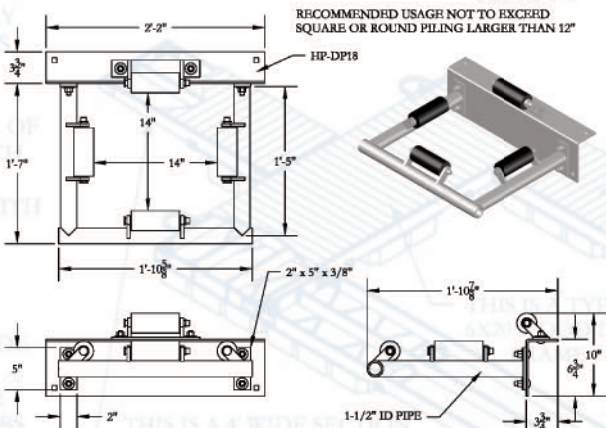
HP-16EX 16" Hoop Assembly Ship# 60



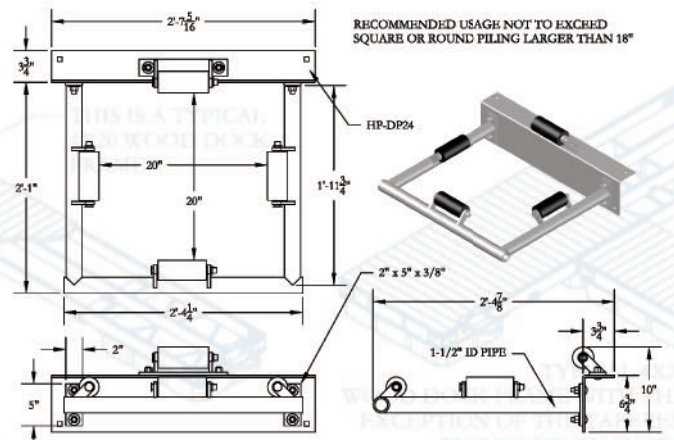
HP-12EX 12" Hoop Assembly Ship# 46



HP-18EX 18" Hoop Assembly Ship# 65



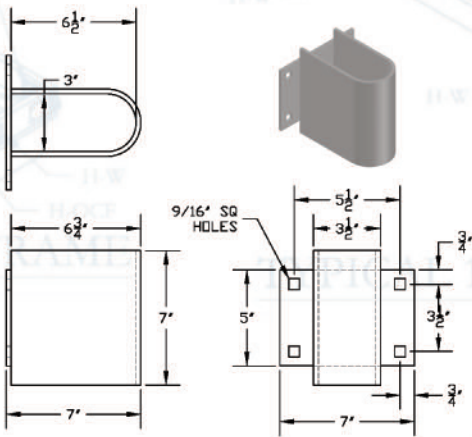
HP-14EX 14" Hoop Assembly Ship# 51



HP-20EX 20" Hoop Assembly Ship# 70

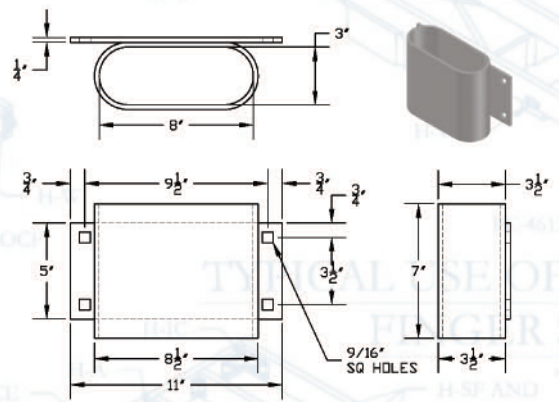


PIPE HOLDERS & PIPE GUIDES

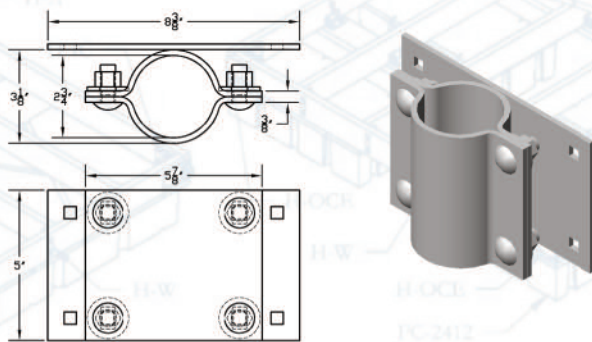


P-3EE End Mount Ship# 10

Merco's **elongated pipe holders** (P-3EE) are used with 2" pipe. When a dock is fixed to a wall and the water level rises and falls, it is necessary to have an elongated pipe holder. P-3ES is to mount on the side of a dock. P-3EE is for the end of a dock. Approx. 6" of movement.

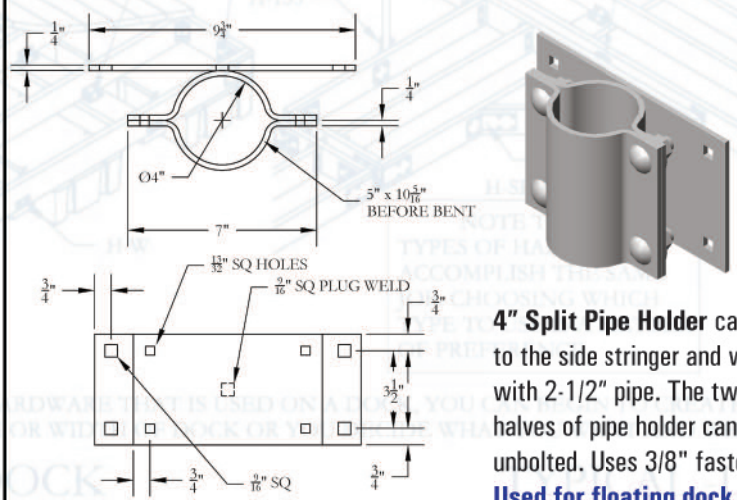


P-3ES Side Mount Ship# 13



3" Split Pipe Holder can bolt to the side stringer and works with 2" pipe. The two halves of pipe holder can be unbolted. Uses 3/8" fasteners. **Used for floating dock.**

P-3S Ship# 8

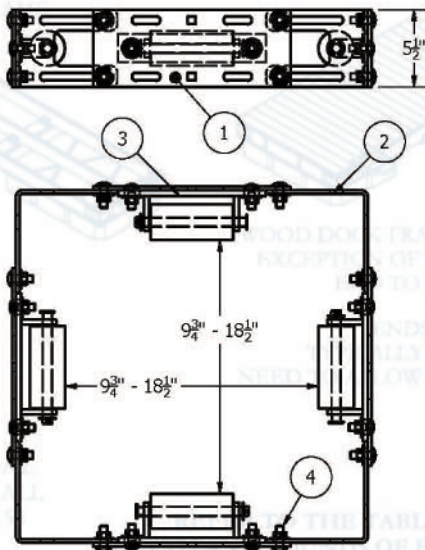


4" Split Pipe Holder can bolt to the side stringer and works with 2-1/2" pipe. The two halves of pipe holder can be unbolted. Uses 3/8" fasteners. **Used for floating dock.**

P-4S Ship# 10

PIPE HOLDERS

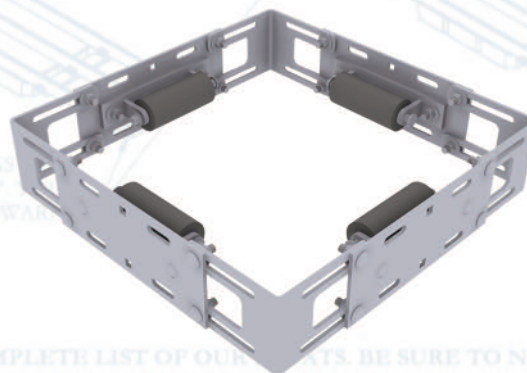
ADJUSTABLE INTERNAL PILE GUIDE US PATENT 9487925



PARTS LIST		
ITEM	QTY	PART NUMBER
1	4	HP-INADJ-P
2	4	HP-INADJ-A
3	4	H-RA4
4	24	B-CB1

Our **Adjustable Internal Pile Guide** was designed to be used with our wood dock systems where you need to have a piling mounted internally within the dock system. This pile guide can expand or contract from 9-3/4" to 18-1/2" to cover a wide range of pile shapes, sizes, and materials. This gives you the

ability to fine tune your internal pile guides to the exact size you need. This unit can even be used in areas where you may need a rectangular pile holder because it doesn't need to be set to an even square. The roller assembly that it uses is our H-RA4 flat style roller assembly.



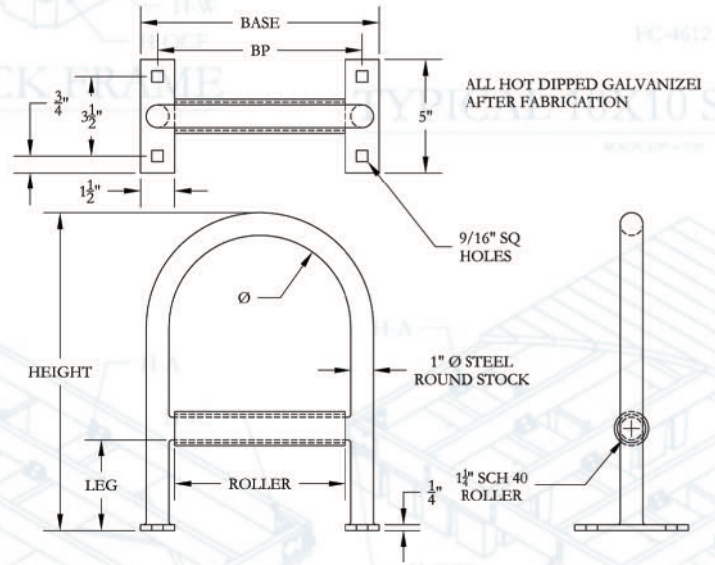
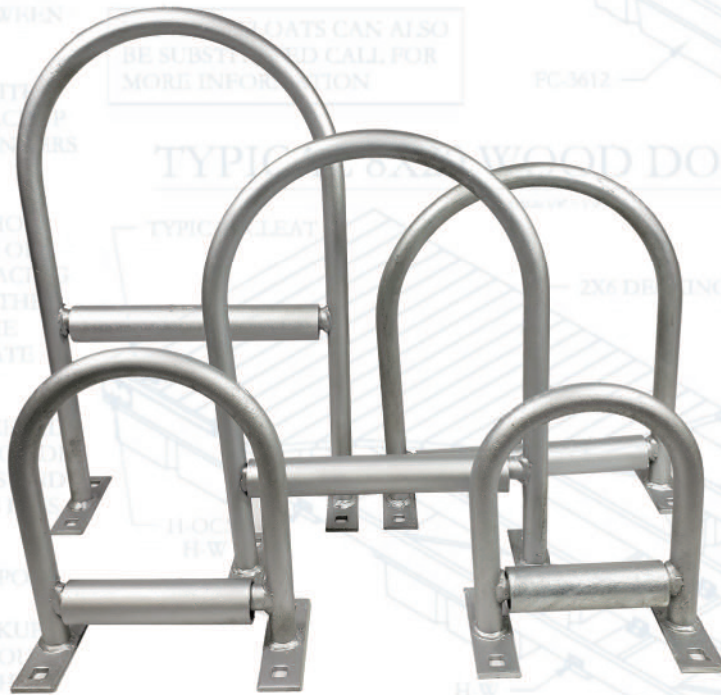
HP-INADJ Adjustable Pile Guide Assembly Ship# 68



1" BAR HOOP PILE HOLDERS

Mercó's Bar Hoops are made from solid 1" round. Sizes – 6" - 8" - 11" - 12" and 14". They have a pipe roller that works really well and are hot dipped galvanized. Each size comes with no extension, 4" extension beyond the roller, and a 10" extension (for those misplaced piles). Bolt to your dock with 1/2" carriage bolts. Use 2 H-W washer plates (page 9) per hoop to reinforce the hoop attachment behind your dock's frame.

**DESIGNED FOR FLOATING DOCK • CAN BE USED WITH STEEL, WOOD, OR PVC PILING
WORKS WITH PILE OUTSIDE DIAMETER BETWEEN 4" - 12" • FOR LARGER PILE GUIDES SEE PAGES 22-24**



1" BAR PILE HOLDERS

**MANUFACTURED OUT OF SOLID 1" DIAMETER STEEL • HOT DIPPED GALVANIZED AFTER FABRICATION
16 DIFFERENT MODELS AND 5 DIFFERENT DIAMETERS • INCLUDES 1-1/4" STEEL ROLLER**

Assembly Number	Assembled Weight	DIAMETER	HEIGHT	LEG	BASE	BP	ROLLER
HP-BR6	10 lbs	6"	10-3/8"	1-3/4"	8-3/4"	7-1/4"	5-3/4"
HP-BR64	12 lbs	6"	1' 1"	4-1/4"	8-3/4"	7-1/4"	5-3/4"
HP-BR610	15 lbs	6"	1' 7"	10-1/4"	8-3/4"	7-1/4"	5-3/4"
HP-BR8	11 lbs	8"	12-1/2"	1-3/4"	10-1/2"	9"	7-1/4"
HP-BR84	13 lbs	8"	1' 3"	4-1/4"	10-1/2"	9"	7-1/4"
HP-BR810	16 lbs	8"	1' 9"	10-1/4"	10-1/2"	9"	7-1/4"
HP-BR11	12 lbs	11"	1' 3-1/4"	1-3/4"	1' 1-1/2"	12"	10-1/4"
HP-BR114	14 lbs	11"	1' 6"	4-1/4"	1' 1-1/2"	12"	10-1/4"
HP-BR1110	17 lbs	11"	2'	10-1/4"	1' 1-1/2"	12"	10-1/4"
HP-BR1122	25 lbs	11"	3'	1' 10-1/4"	1' 1-1/2"	12"	10-1/4"
HP-BR12	14 lbs	12"	1' 4-1/2"	1-3/4"	1' 2"	12-1/2"	11-1/4"
HP-BR124	16 lbs	12"	1' 7"	4-14"	1' 2"	12-1/2"	11-1/4"
HP-BR1210	19 lbs	12"	1' 11-1/4"	10-1/4"	1' 2"	12-1/2"	11-1/4"
HP-BR14	16 lbs	14"	1' 6"	1-3/4"	1' 4-1/2"	1' 3"	1' 1-1/4"
HP-BR144	18 lbs	14"	1' 8-1/2"	4-1/4"	1' 4-1/2"	1' 3"	1' 1-1/4"
HP-BR1410	21 lbs	14"	2' 2-1/2"	10-1/4"	1' 4-1/2"	1' 3"	1' 1-1/4"

NOTES: ALL DIMENSIONS NOMINAL. DIAMETER TOLERANCE IS +/- 1/4"



1" BAR PILE HOLDER - NO ROLLER

These bar hoops are made from the same material as our solid 1" round bar hoops on page 26 to the left with two functional differences. They don't have a roller and in place of the roller they have a large flat wear surface made of 3/8" thick steel. Just like many of our other products these are all hot dipped galvanized and fastened with 1/2" carriage bolts.

HOWTO DETERMINE YOUR PILING DIAMETER

1. Measure the circumference of your piling. Our example below shows 30".



2. Take your measurement and divide by 3.14 ($30 \div 3.14 = 9.554$)
3. Now you know the diameter of a piling with a 30" circumference is 9.554".

Why would you want to do this?

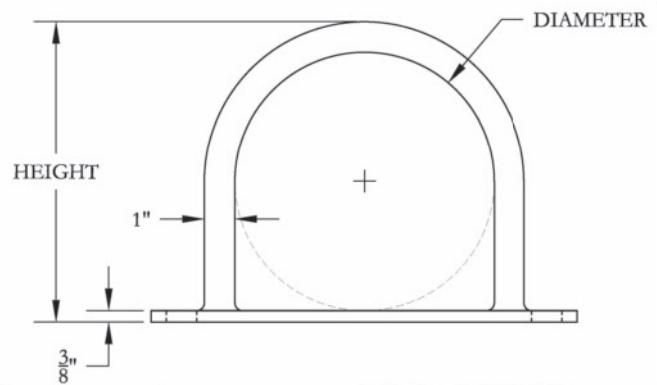
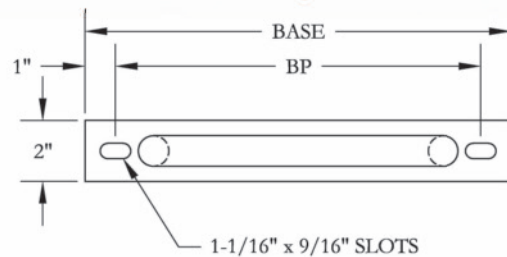
Sometimes piling are up high or out of distance to see and measure the top. This trick lets you stay off a ladder or even take quick measurements from watercraft.

Use the following chart to determine approximate diameters:

Circumference	Diameter
9.42	3"
12.56	4"
15.7	5"
18.84	6"
21.98	7"
25.12	8"
28.26	9"
31.4	10"
34.54	11"
37.68	12"
40.82	13"
43.96	14"
47.1	15"
50.24	16"



SOLID 1" STEEL GALVANIZED BAR WITH 2" X 3/8" FLAT BAR MOUNTING PLATES



Assembly Number	Assembled Weight	DIAMETER	HEIGHT	BP	BASE
HP-BP5	6 lbs	5"	7-1/2"	9"	11-1/4"
HP-BP6	7 lbs	6"	9"	10"	1'
HP-BP8	9 lbs	8"	10"	1'	1' 2"
HP-BP10	11 lbs	11"	11-3/4"	1' 3"	1' 5"

NOTES: ALL DIMENSIONS NOMINAL. DIAMETER TOLERANCE IS +/- 1/4"

1" BAR PILE HOLDERS



FASTENERS

Most of our fasteners are large and hard to find hot-dipped galvanized and extremely heavy duty and made for outdoor use.

* Indicates standard use in our dock systems and accessories

All of our fasteners are available online at www.mercoboatdocks.com/Dock-Hardware/Fasteners

Carriage Bolt Sets

- B-CB1** 1/2" x 1-1/2" Carriage Bolt Set
- B-CB3** 1/2" x 3" Carriage Bolt Set
- B-CB4** 1/2" x 4" Carriage Bolt Set
- B-CB5** 1/2" x 5" Carriage Bolt Set
- B-CB6** 1/2" x 6" Carriage Bolt Set
- B-CB7** 1/2" x 7" Carriage Bolt Set
- B-CB10** 1/2" x 10" Carriage Bolt Set
- B-CB381** 3/8" x 1" Carriage Bolt Set
- B-CB385** 3/8" x 1-1/2" Carriage Bolt Set
- B-CB2** 3/8" x 2-1/2" Carriage Bolt Set
- B-CB9** 3/8" x 3" Carriage Bolt Set
- B-CB8** 3/8" x 4" Carriage Bolt Set

*Truss Frame Hardware
*Wood Dock Hardware



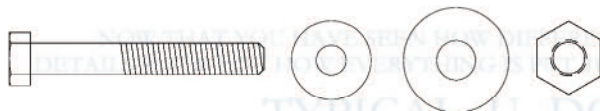
Hex Bolt Sets

- B-HB1** 1/2" x 1-1/2" Hex Head Bolt Set
- B-HB4** 3/8" x 4" Hex Head Bolt Set
- B-HB538** 3/8" x 5" Hex Head Bolt Set
- B-HB6** 3/8" x 6" Hex Head Bolt Set
- B-HB5516** 5/16" x 5" Hex Head Bolt Set

*Truss Section Assembly



- B-HB2** 3/8" x 2-1/2" Hex Bolt Set *Truss Cellofoam Float Attachment
- B-HB33** 3/8" x 3" Hex Bolt Set *Truss Eagle Float Attachment



Hex Bolt Sets (bolt, nylon lock nut)

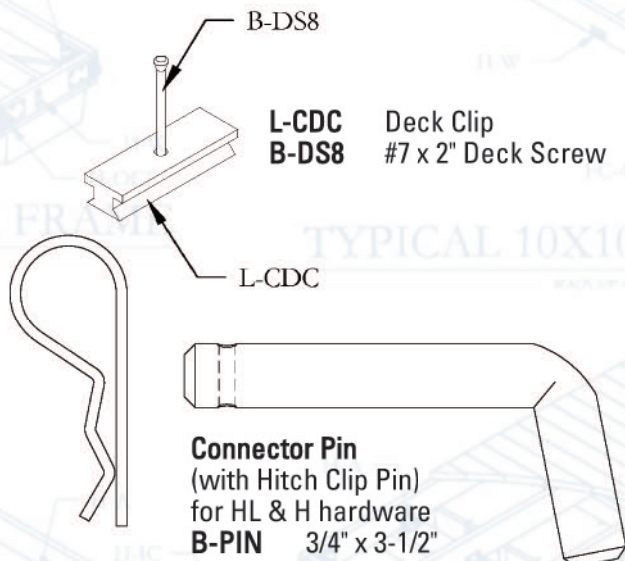
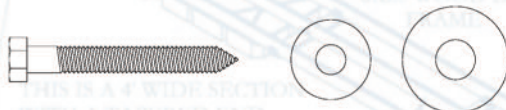
- B-HB3** 3/4" x 3-1/2" Hex Bolt Set
- B-HB15** 1" x 3-1/2" Hex Bolt Set



Lag Bolt Sets

- B-L25** 3/8" x 2-1/2" Lag Bolt Set
- B-L3** 3/8" x 3" Lag Bolt Set
- B-L4** 3/8" x 4" Lag Bolt Set
- B-L6** 3/8" x 6" Lag Bolt Set

*Wood Dock Floats (Any brand)

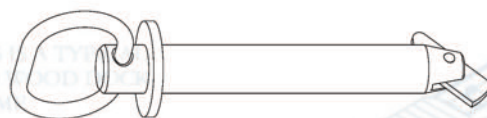


Self-Tapping Hex Head Screw
B-ST5 1/4" x 2-1/2"

B-RN Package of 25
B-RRS1 Package of 25

Stainless Rubrail Fasteners

B-RN 1-1/2" Package of 25 NAILS
B-RRS1 #8 X 1-1/4" Package of 25 SCREWS



Tension Lock Pin for HL & H hardware
B-PIN1 3/4" x 3-1/2"



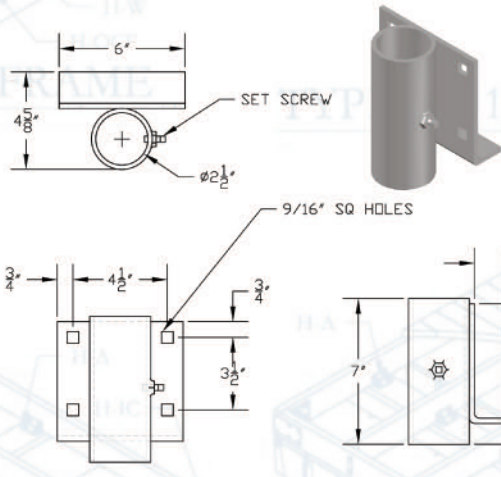
Connector Pin for HD Hardware
B-PIN3 1" x 2-1/2" "T" Pin

FASTENERS

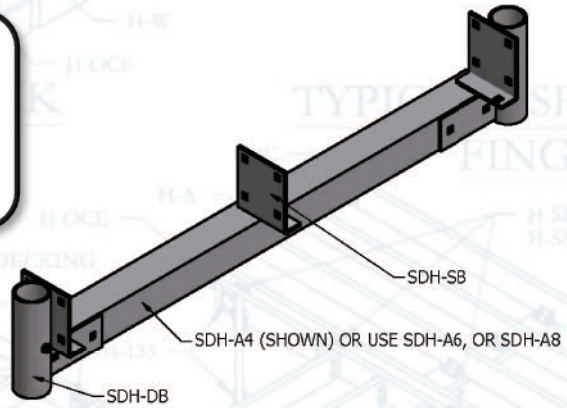


HEAVY DUTY STATIONARY DOCK

Mercó's **heavy duty** stationary dock hardware uses 2" ID pipe. The end brackets (SDH-DB) are made from 1/4" steel and use 1/2" carriage bolts for the wood stringers. The dock works like our regular stationary except you purchase the 3" x 3" x 1/4" beam the length you need. Standard is 4' wide (SDH-A4), 6' wide (SDH-A6) and 8' wide (SDH-A8). Longer sizes are available special order. Purchase stringer brackets (SDH-SB) for every 2' of width. The brackets have a 3/8" set screw as well as a 9/16" hole if you want to drill the pipe and use a 1/2" bolt to insure the pipe doesn't slip. Use the B-CB3 1/2" x 3" Carriage bolt set (page 28) with any of the hardware shown on this page to attach 1-1/2" lumber.



All hardware on this page is intended to be used with 2" ID pipe



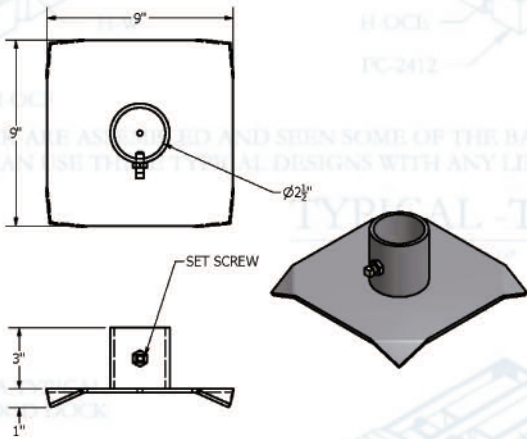
This single pipe bracket can be used in corners or for handrail.

SD-DB2 2" ID pipe Ship# 8

SDH-DB Stationary Dock Bracket Ship# 8
SDH-SB Stationary Stringer Bracket Ship# 2

SDH-DB4 4' with 2 - SDH-DB, 1 - SDH-SB, and 1 - SDH-A4 assembled Ship# 38

SDH-DB6 6' with 2 - SDH-DB, 2 - SDH-SB, and 1 - SDH-A6 assembled Ship# 46



Mud Pad (SD-MP2) is used with 2" pipe in rocky or hard bottoms 9" Square x 3/16" heavy duty. Hot dipped galvanized.

SD-MP2 Ship# 7

Auger is used by inserting into the end of 2" ID pipe and then screwing into softer bottoms or sand. This provides a stationary pipe to anchor either stationary or floating dock to.



SD-A2 Auger Ship# 4

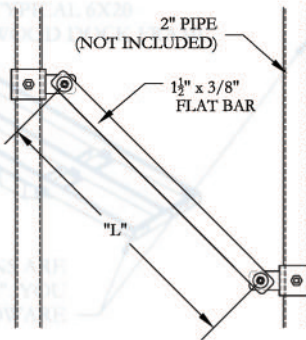
For best results we recommend drilling and pinning/bolting the auger after inserted into your 2" pipe.



Mercó's Safety Caps are a white vinyl and fit 2" ID pipe.

SC-W2 2" Pipe Ship# 1/2

Note: for the 1-1/2" ID pipe version See page 31



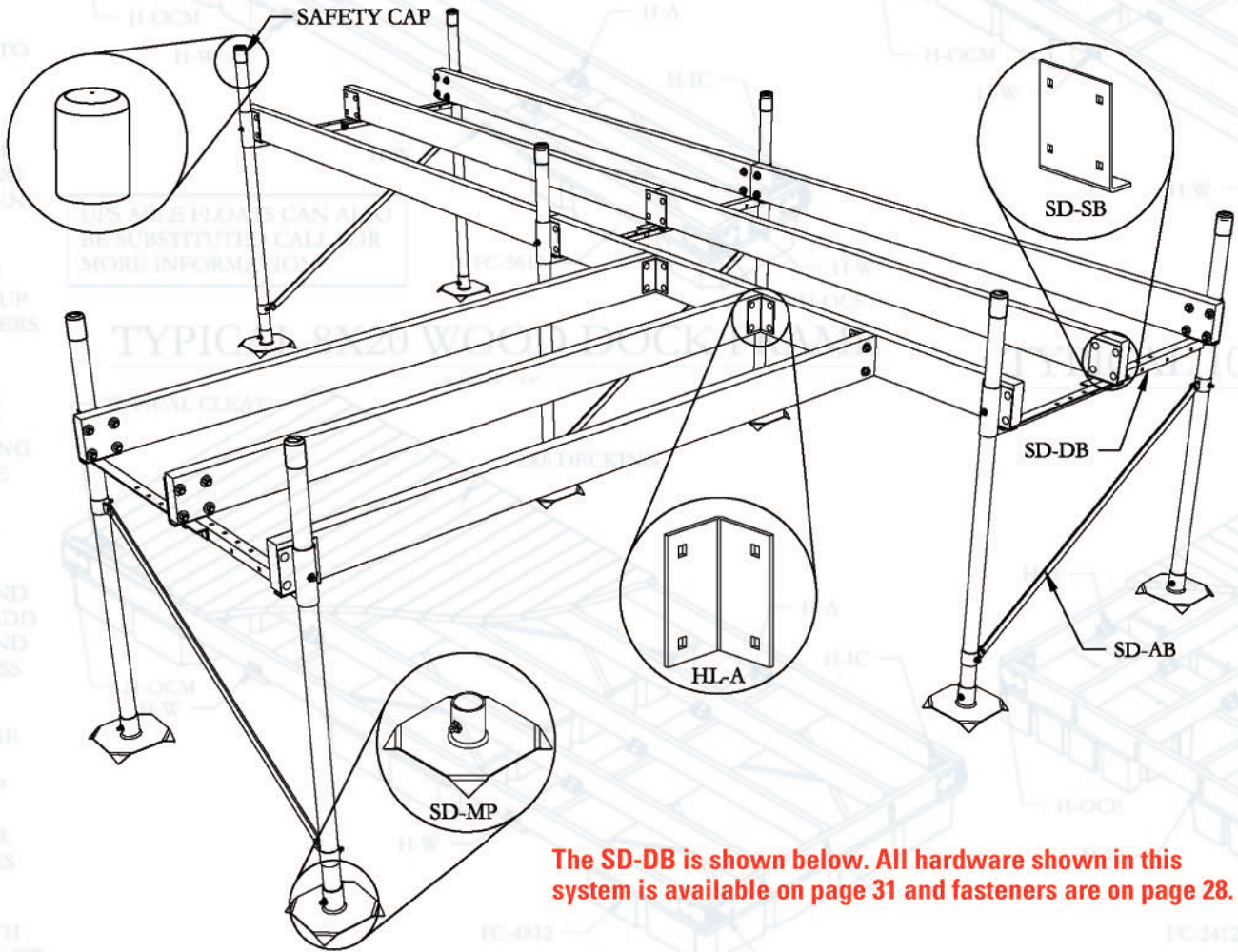
These angle braces slide over the pipe before installing the dock bracket. After the dock is in place tighten the set screws. Includes 2 end pipes, brace and bolts.

2" pipe	"L" Ship#	Ships via
SD-AB24 for 3' wide dock	4' 11	UPS/FedEx
SD-AB25 for 4' wide dock	5' 13	UPS/FedEx
SD-AB26 for 5' wide dock	6' 15	UPS/FedEx

HEAVY DUTY STATIONARY

STATIONARY DOCK

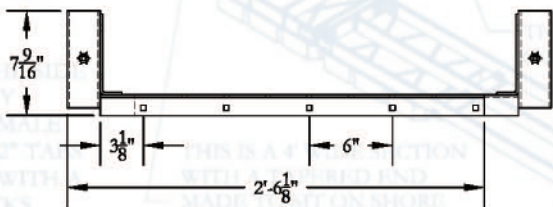
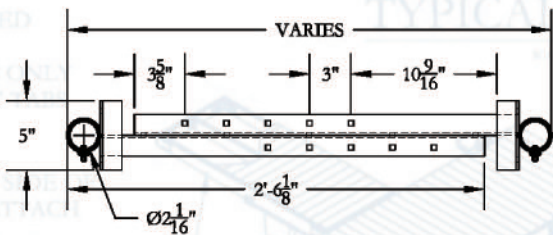
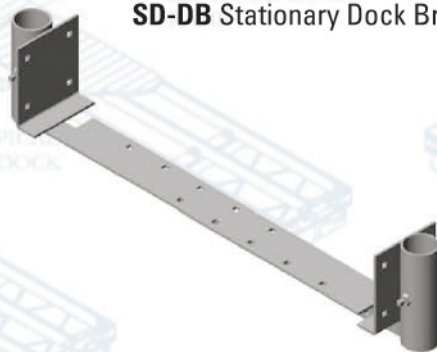
This example would use 4-SD-DB, 4-SD-SB, 3-HL-A, 8-SD-MP and 60-B-CB2 carriage bolts. You would need 9 wood stringers, 8-1-1/2' pipe and decking.



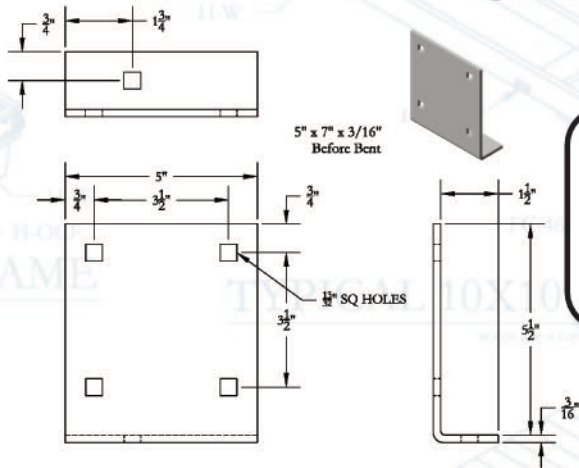
The SD-DB is shown below. All hardware shown in this system is available on page 31 and fasteners are on page 28.

Mercó's galvanized stationary dock brackets can be expanded to make 2-1/2', 3', 3-1/2' and 4' wide dock. The example used 4-SD-DB dock brackets, 4-SD-SB -stringer brackets and 8-SD-MD mud pads. You would supply 2" x 6" or 2" x 8" side stringer lumber, decking and 1-1/2" pipe bought locally. Dock brackets come with hardware to bolt halves together and set screws. Use with 1-1/2" ID SCH 40 pipe. You supply the lumber.

SD-DB Stationary Dock Bracket Ship# 14



STATIONARY DOCK



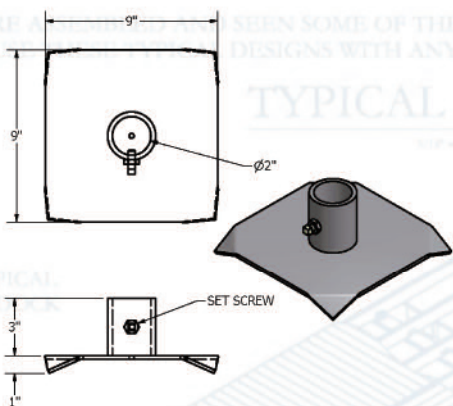
Stringer Bracket (SD-SB) is used when decking span is too great and a center stringer is needed. Hot dipped galvanized.

SD-SB Stationary Stringer Bracket Ship# 1-1/2



Auger is used with 1-1/2" pipe in softer bottoms or sand. Attach by slipping over your pipe and tighten the included set screw.

SD-A Auger Ship# 3



Mud Pad (SD-MP) is used with 1-1/2" pipe in rocky or hard bottoms. Heavy duty. Hot dipped galvanized.

SD-MP Stationary Mud Pad Ship# 6

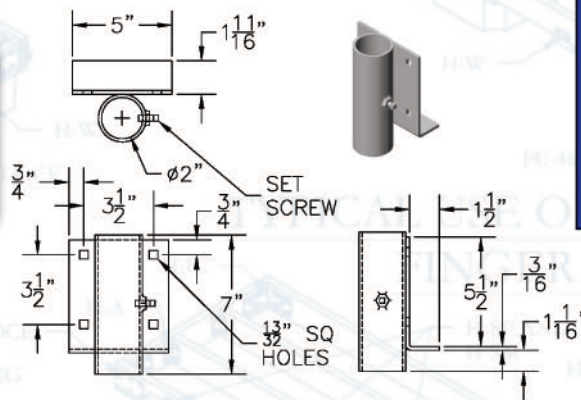


Mercó's Safety Caps are a white vinyl and fit 1-1/2" ID pipe.

SC-W150 1-1/2" Pipe Ship# 1/2

Note: for the 2" ID pipe version See page 29

All hardware on this page is intended to be used with 1-1/2" ID pipe



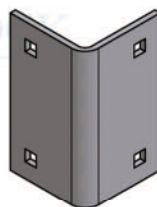
This single pipe bracket can be used in corners or for handrail.

SD-DB1 Ship# 6 for 1-1/2" ID pipe

3/8" x 2-1/2" carriage bolt sets used to bolt side stringers to dock brackets.

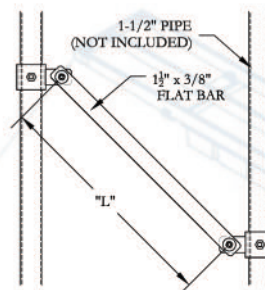


B-CB2 3/8" x 2-1/2" Carriage Bolt Set



Angle Bracket (HL-A) is used when making a T or L dock as pictured. Hot dipped galvanized.

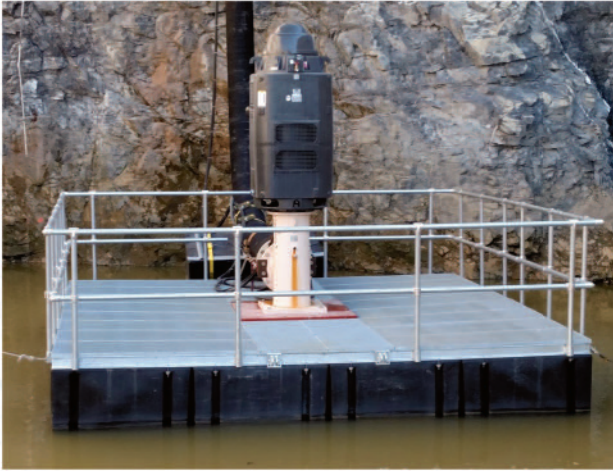
HL-A Lightweight Angle Bracket Ship# 1-1/2



1-1/2" pipe	"L" Ship#	Ships via
SD-AB14 for 3' wide dock	4' 9	UPS/FedEx
SD-AB15 for 4' wide dock	5' 11	UPS/FedEx
SD-AB16 for 5' wide dock	6' 12	UPS/FedEx
SD-AB17 for 6' wide dock	7' 14	UPS/FedEx

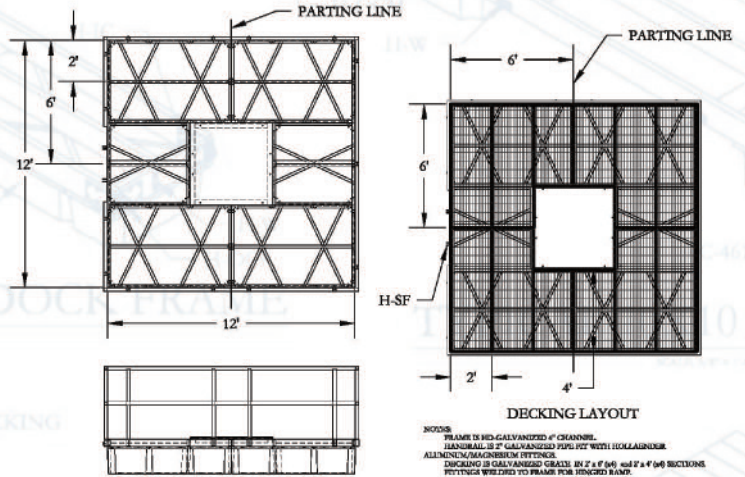
VERTICAL PUMP FLOATING PLATFORM

VERTICAL PUMP DOCKS

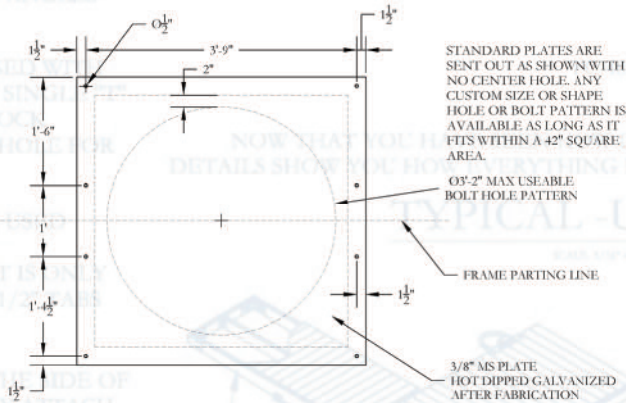


pump. Entire unit is hot dipped galvanized for long service. The base unit has 9950# of flotation. Walkways and other accessories are also available. Ships preassembled. The frame is made from 4" x 7.25 channel and hot dipped galvanized after fabrication. The handrail is 2" galvanized pipe fit together with Hollaender aluminum/ magnesium fittings. The center 3/8" x 4' x 4' plate is bolted to the frame. The plate is galvanized but has no hole so the customer can cut the correct hole for the pumps being used. Call for complete details and pricing.

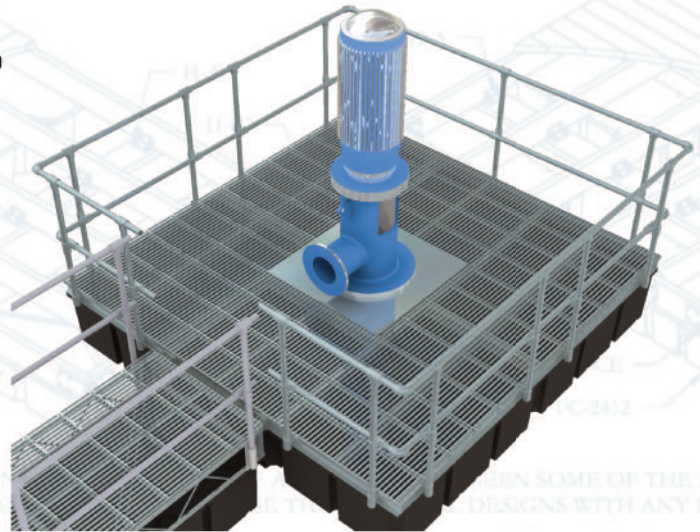
Merco Marine's 12' x 12' and 16' x 16' vertical pump docks can support various pumps for agriculture, water and waste water applications. The 2 sections of this rugged steel platform can be easily bolted together on site. Comes complete with floats, Galvanized Press Lock Decking and plate for



UNITS CAN BE ATTACHED TOGETHER FOR MULTIPLE PUMPS. CALL FOR COMPLETE OPTIONS AND PRICING.

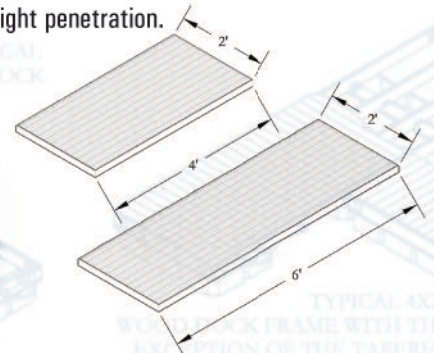
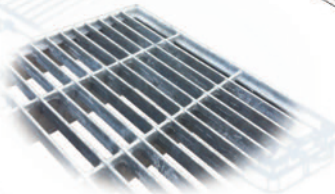


Ramps to dock, extensions of ramps and other size platforms can be constructed. Call one of our knowledgeable sales representatives to get more information.



Our press lock decking comes standard (already included) on our vertical pump floating platform but can be purchased individually as shown below. These are industrial strength galvanized steel panels, great for high traffic or commercial needs. These are ideal for walkways and ramps. Allows for 65% sunlight penetration.

100 PSF LOADING



- VP-GRATING24 (2' x 4' x 1-1/4") Ship# 39
- VP-GRATING26 (2' x 6' x 1-1/4") Ship# 59
- VP-GRATING34 (3' x 4' x 1-1/4") Ship# 59
- VP-GRATING45 (4' x 5' x 1-1/4") Ship# 88



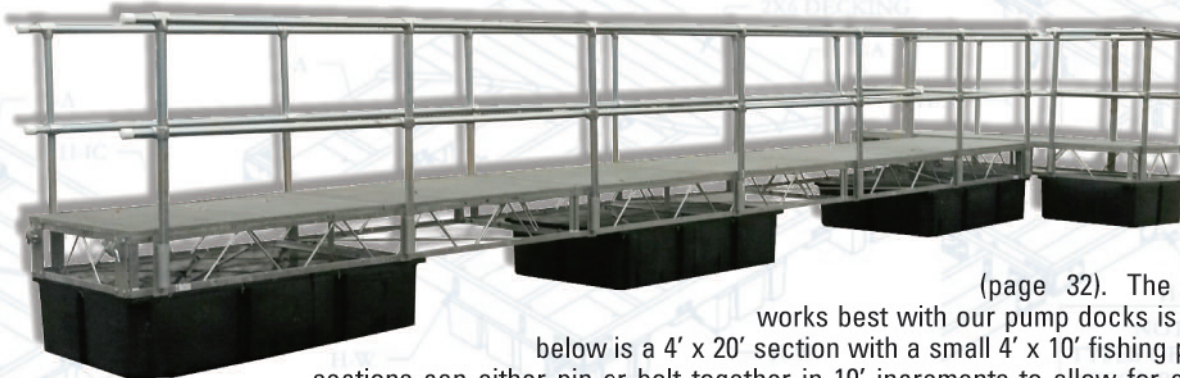
VERTICAL PUMP FLOATING PLATFORM



We build a lot of different vertical pump platforms each year for many different application and sizes of pumps. Call us with your needs and we can recommend the system best for you. Walkways with handrail available (see below)



FLOATING WALKWAYS



Mercor Marine™ floating walkways are available in many different lengths and come complete with handrail and our press lock decking

(page 32). The standard width that works best with our pump docks is 4'. The section shown below is a 4' x 20' section with a small 4' x 10' fishing platform at the end. All sections can either pin or bolt together in 10' increments to allow for easy assembly on site. Shorter or longer lengths or widths available using our standard truss frame systems from page 54. Individual handrail fittings can be found on page 44.

FISHING • INDUSTRIAL • COMMERCIAL • PRIVATE ACCESS • MINING • SAFETY

FLOATING PIPE LINE CRADLE



Our floating pipe line cradle needs 4 basic components, the cradle frame (PLF-CF), the hoop brackets (PLF-H10—PLF-H18), the float, and bolts.

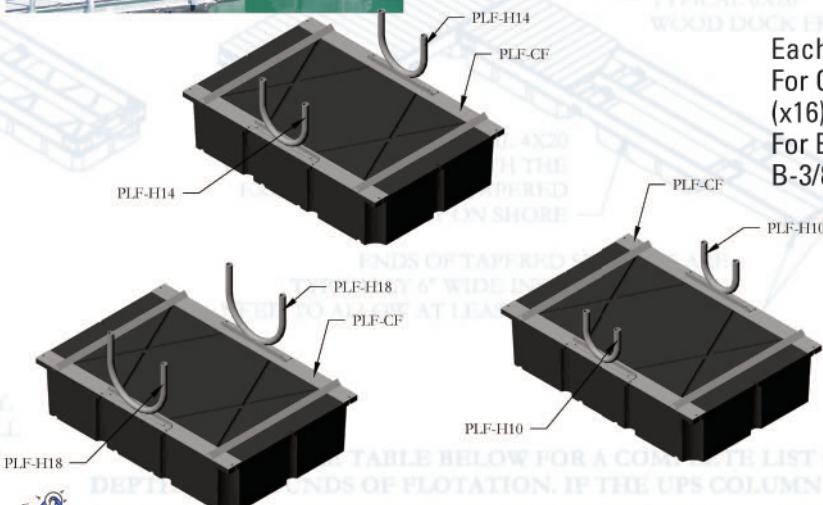
DESIGNED FOR ANY OF OUR 4' X 6' FLOAT DRUMS

Item ID

- | | | |
|--|---------------------------|----------|
| PLF-CF | Cradle Frame with no hoop | Ship# 65 |
| Each PLF-CF needs 2 of following of a like size: | | |
| PLF-H10 | One 10" Diameter Bracket | Ship# 10 |
| PLF-H14 | One 14" Diameter Bracket | Ship# 12 |
| PLF-H18 | One 18" Diameter Bracket | Ship# 14 |

Each PLF-CF assembly needs the following fasteners:

- For Cellofoam floats: B-HB33BOLT (x8), B-5/8W (x16), B-3/8W (x16), B-3/8N (x8), B-CB1 (x4)
 For Eagle floats: B-HB33BOLT (x6), B-5/8W (x12), B-3/8W (x12), B-3/8N (x6), B-CB1 (x4)



Any 4'x6' float from pages 34 or 36 can be used with the cradle frame. 4612 - 4632. There are a lot of factors that determine the amount of float depth you will need. The type of pipe you use, the weight of the water inside the pipe, and the quantity and spacing of cradles all affect this. Give us a call and we can help you figure out what you need for your specific application.

PUMP DOCK - WALKWAYS

FLOAT DRUMS

Mercos Marine™ stocks several different types and sizes of float drums. We also carry two different models of floats which are differentiated by the first two letters of the item code which are FC and FE. There are subtle differences in the specs and mounting slot locations. The drawings for most floats are displayed on page 35. Displayed on this page is Eagle Floats.

*After the model number denotes sizes that are able to ship common carrier such as UPS. All other sizes require alternate LTL or truck load motor freight carriers.

Not all sizes are listed here. For the complete line see our website at



FLOAT DRUMS

FEATURES:

- Heavy wall thickness (.150) nominal wall
- One piece rotational molded shell
- Completely foam filled 1.0-1.5 density EPS
- Virgin grade polyethylene materials
- UV inhibitors
- Molded in Mounting slots
- Heavy Duty mounting flange
- Meets Corps of Engineers Regulation #36 CFR Part 327
- 15 year warranty
- Tank tested buoyancy ratings +0/-5%
- Lift tanks **.35" Nominal wall thickness / Pressure testes**

ITEM CODE	SIZE	CU. FT.	ACTUAL WEIGHT	BUOYANCY (LBS.)
FE-1420*	1' x 4' x 20"	6.67	27#	310
FE-207208*	20" x 72" x 8"	6.67	42#	350
FE-209610	20" x 96" x 10"	13.00	63#	670
FE-2312*	2' x 3' x 12"	6.00	33#	300
FE-2316*	2' x 3' x 16"	8.00	34#	390
FE-248*	2' x 4' x 8"	5.33	30#	290
FE-2412*	2' x 4' x 12"	8.00	31#	390
FE-2416*	2' x 4' x 16"	10.70	35#	530
FE-2420	2' x 4' x 20"	13.30	39#	680
FE-2424	2' x 4' x 24"	12.00	44#	790
FE-348	3' x 4' x 8"	8.00	35#	460
FE-3412	3' x 4' x 12"	12.00	41#	620
FE-3416	3' x 4' x 16"	16.00	49#	820
FE-3420	3' x 4' x 20"	20.00	54#	1050
FE-3424	3' x 4' x 24"	24.00	62#	1260
FE-3612	3' x 6' x 12"	18.00	61#	950
FE-3616	3' x 6' x 16"	24.00	69#	1270
FE-3620	3' x 6' x 20"	30.00	81#	1580
FE-3624	3' x 6' x 24"	36.00	92#	1850
FE-3632	3' x 6' x 32"	48.00	111#	2430
FE-3812	3' x 8' x 12"	24.00	81#	1250
FE-3816	3' x 8' x 16"	31.00	97#	1670
FE-3820	3' x 8' x 20"	40.00	107#	2080
FE-3824	3' x 8' x 24"	48.00	117#	2540
FE-4412	4' x 4' x 12"	16.00	53#	850
FE-4416	4' x 4' x 16"	21.30	62#	1140
FE-4420	4' x 4' x 20"	26.60	70#	1430
FE-4424	4' x 4' x 24"	31.90	78#	1680
FE-4512	4' x 5' x 12"	20.00	67#	1070
FE-4516	4' x 5' x 16"	26.00	78#	1420
FE-4520	4' x 5' x 20"	33.00	92#	1750
FE-4524	4' x 5' x 24"	40.00	99#	2100
FE-4612	4' x 6' x 12"	24.00	75#	1300
FE-4616	4' x 6' x 16"	32.00	91#	1720
FE-4620	4' x 6' x 20"	40.00	117#	2120
FE-4624	4' x 6' x 24"	48.00	120#	2560
FE-4632	4' x 6' x 32"	64.00	142#	3400
FE-4812	4' x 8' x 12"	32.00	103#	1750
FE-4816	4' x 8' x 16"	42.70	127#	2310
FE-4820	4' x 8' x 20"	53.30	134#	2910
FE-4824	4' x 8' x 24"	64.00	160#	3450
FE-4832	4' x 8' x 32"	86.00	185#	4440

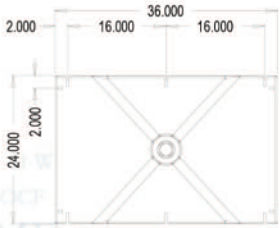
LIFT TANKS	SIZE	ACTUAL WEIGHT	BUOYANCY (LBS.)
FE-369628	36" x 96" x 28"	191#	2849
FE-369632	36" x 96" x 32"	205#	3230
FE-489636	48" x 96" x 36"	256#	5028



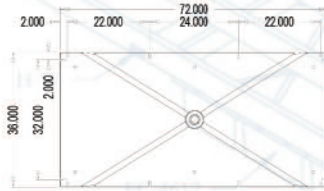
15 YEAR WARRANTY!



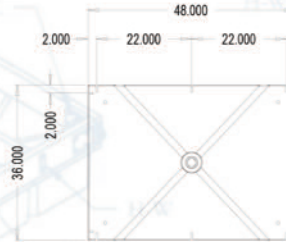
FLOAT DRUM DRAWINGS



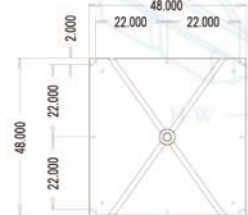
FC-2312, FC-2316, FC-2320



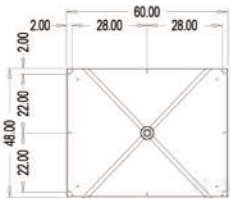
**FC-3612, FC-3616, FC-3620,
FC-3624, FC-3632**



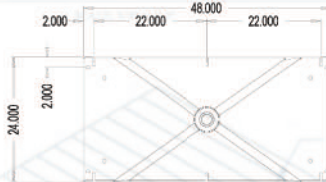
**FC-348, FC-3412, FC-3416,
FC-3420, FC-3424**



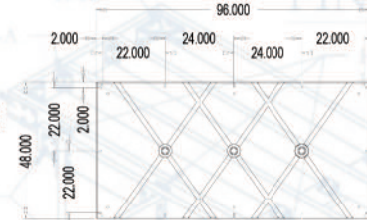
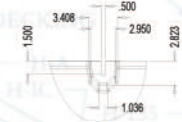
**FC-4412, FC-4416,
FC-4420, FC-4424**



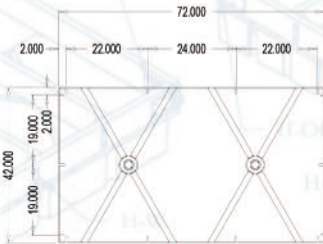
**FC-4512, FC-4516,
FC-4520, FC-4524**



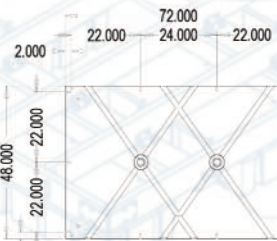
**FC-248, FC-2412, FC-2416,
FC-2420, FC-2424**



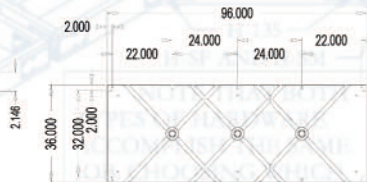
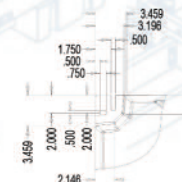
**FC-4812, FC-4816, FC-4820,
FC-4824, FC-4832**



FC-427216

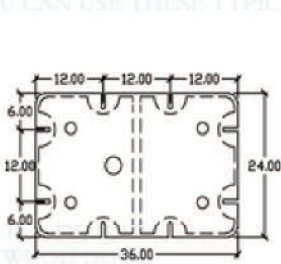


**FC-4612, FC-4616, FC-4620,
FC-4624, FC-4632**

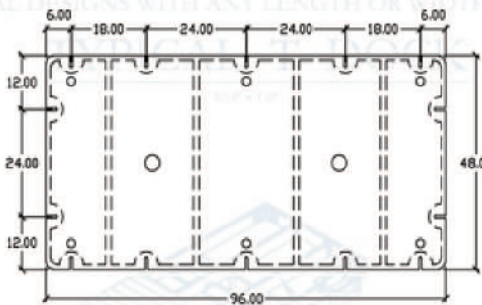


**FC-3812, FC-3816, FC-3820,
FC-3824**

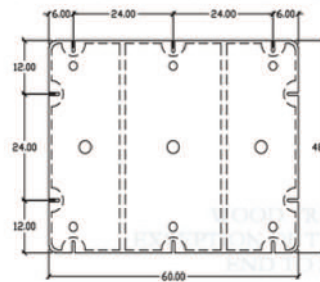
FLOAT DRUMS



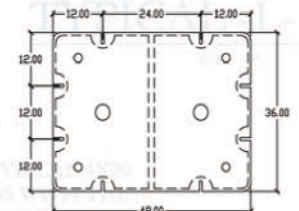
FE-2312, FE-2316



**FE-4812, FE-4816, FE-4820,
FE-4824, FE-4832, FE-4836**

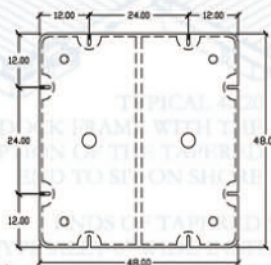


**FE-4512, FE-4516, FE-4520,
FE-4524**

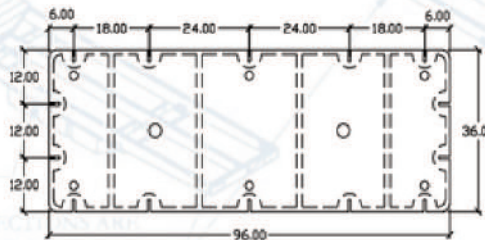


**FE-348, FE-3412,
FE-3416, FE-3420, FE-3424**

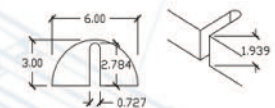
To the Right:
**FE-4412, FE-4416,
FE-4420, FE-4424**



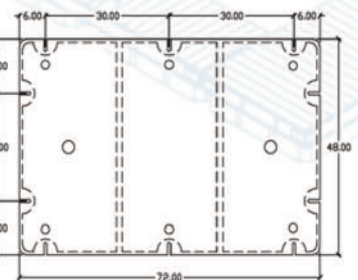
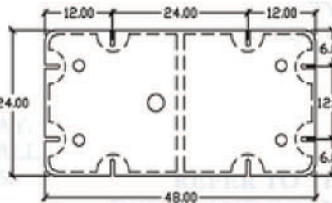
Below:
**FE-248, FE-2412, FE-2416,
FE-2420, FE-2424**



FE-3812, FE-3816, FE-3820, FE-3824



To the Left:
**FE-3612, FE-3616, FE-3620,
FE-3624, FE-3632**



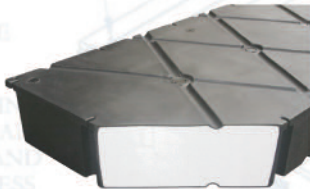
**FE-4612, FE-4616,
FE-4620, FE-4624, FE-4632**



FLOAT DRUMS

Merco Marine™ stocks several different types and sizes of float drums. We also carry two different models of floats which are differentiated by the first two letters of the item code which are FC and FE. There are subtle differences in the specs and mounting slot locations. The drawings for most floats are displayed on page 35. Displayed on this page is Cellofoam Floats.

*After the model number denotes sizes that are able to ship common carrier such as UPS. All other sizes require alternate LTL or truck load motor freight carriers.



Both models Feature:

- Heavy wall thickness (.150) nominal wall
- One piece rotational molded shell
- Completely foam filled 1.0-1.5 density EPS
- Virgin grade polyethylene materials
- UV inhibitors
- Molded in Mounting slots
- Heavy Duty mounting flange
- Meets Corps of Engineers Regulation #36 CFR Part 327
- 15 year warranty
- Tank tested buoyancy ratings +0/-5%
- Lift tanks have a .300" nominal wall thickness

FLOAT MODELS	SIZE	CU. FT.	ACTUAL WEIGHT	BUOYANCY (LBS.)
FC-1412*	1' x 4' x 12"	4.00	16#	207
FC-1420*	1' x 4' x 20"	6.67	22#	334
FC-207208*	20" x 72" x 8"	6.67	26#	356
FC-207210	20" x 72" x 10"	8.00	29#	443
FC-209610	20" x 96" x 10"	13.00	39#	598
FC-2312*	2' x 3' x 12"	6.00	21#	332
FC-2316*	2' x 3' x 16"	8.00	25#	446
FC-2320*	2' x 3' x 20"	10.00	28#	537
FC-248*	2' x 4' x 8"	5.33	22#	288
FC-2412*	2' x 4' x 12"	8.00	27#	454
FC-2416*	2' x 4' x 16"	10.70	32#	598
FC-2420	2' x 4' x 20"	13.30	36#	731
FC-2424	2' x 4' x 24"	12.00	41#	882
FC-348	3' x 4' x 8"	8.00	32#	472
FC-3412	3' x 4' x 12"	12.00	38#	700
FC-3416	3' x 4' x 16"	16.00	44#	925
FC-3420	3' x 4' x 20"	20.00	50#	1132
FC-3424	3' x 4' x 24"	24.00	57#	1364
FC-3612	3' x 6' x 12"	18.00	55#	1061
FC-3616	3' x 6' x 16"	24.00	64#	1402
FC-3620	3' x 6' x 20"	30.00	72#	1718
FC-3624	3' x 6' x 24"	36.00	82#	2072
FC-3632	3' x 6' x 32"	48.00	105#	2678
FC-3812	3' x 8' x 12"	24.00	73#	1412
FC-3816	3' x 8' x 16"	31.00	85#	1870
FC-3820	3' x 8' x 20"	40.00	95#	2295
FC-3824	3' x 8' x 24"	48.00	108#	2771
FC-427216	42" x 6' x 16"	28.87	74#	1636
FC-4412	4' x 4' x 12"	16.00	49#	940
FC-4416	4' x 4' x 16"	21.30	57#	1242
FC-4420	4' x 4' x 20"	26.60	64#	1522
FC-4424	4' x 4' x 24"	31.90	73#	1836
FC-4512	4' x 5' x 12"	20.00	60#	1186
FC-4516	4' x 5' x 16"	26.00	69#	1568
FC-4520	4' x 5' x 20"	33.00	78#	1923
FC-4524	4' x 5' x 24"	40.00	88#	2320
FC-4612	4' x 6' x 12"	24.00	71#	1420
FC-4616	4' x 6' x 16"	32.00	82#	1880
FC-4620	4' x 6' x 20"	40.00	93#	2307
FC-4624	4' x 6' x 24"	48.00	105#	2786
FC-4632	4' x 6' x 32"	64.00	131#	3648
FC-4812	4' x 8' x 12"	32.00	94#	1900
FC-4816	4' x 8' x 16"	42.70	108	2518
FC-4820	4' x 8' x 20"	53.30	122#	3092
FC-4824	4' x 8' x 24"	64.00	137#	3737
FC-4832	4' x 8' x 32"	86.00	167#	4920

LIFT TANKS	SIZE	CU. FT.	ACTUAL WEIGHT	BUOYANCY (LBS.)
FC-349630	34-1/2" x 96" x 30"	57.50	145#	2832
FC-349636	34-1/2" x 96" x 36"	69.00	196#	3473
FC-3216824	32" x 14' x 24"	74.67	209#	4127



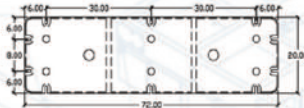
15 YEAR WARRANTY!



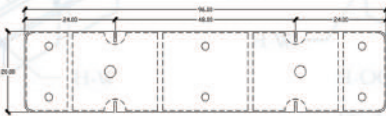
FLOATS FOR ROWING DOCKS



Merco Marine has both manufactured docks and supplied parts for over a dozen of the countries college rowing teams including some of the big ivy league universities. Our rowing dock is specifically designed to float very low in the water to facilitate easy access for rowing shells and other low profile watercraft such as kayaks and canoes. This design is able to be accomplished via a particular size of float drum that fits within the framing of the dock structure. The drawings for the floats are shown below and the specs can be found on page 34.

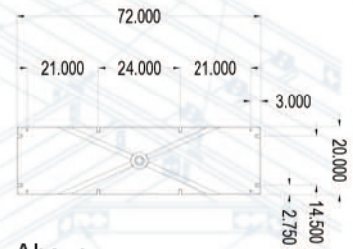
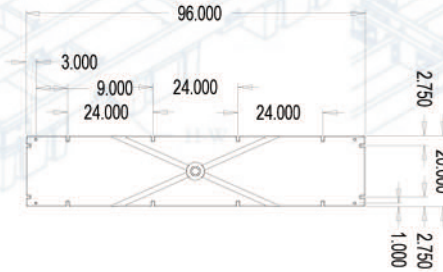


FE-207208 20" x 72" x 8"



FE-209610 20" x 96" x 10"

See pages 34 and 35 for other specifications



Above:

FC-207208 20" x 72" x 8"

FC-207210 20" x 72" x 10"

To the left:

FC-209610 20" x 96" x 10"

New! DOCK BOXES



DB-CM01



DB-CM02



DB-CM07



DB-CM09

See our new complete line of these products and more at www.mercoboatdocks.com/Dock-Accessories/Dock-Boxes

Standard Features:

- Made in the U.S.A.
- Minimum 3/16" heavy fiberglass thickness
- Gas lifts available on some models
- All stainless steel hardware
- UV white gel coat provides long-lasting durability and sound investment.
- 2 Year manufacturers warranty



DB-CM07

"THIS STUFF IS GOOD!"

Standard Storage Chests

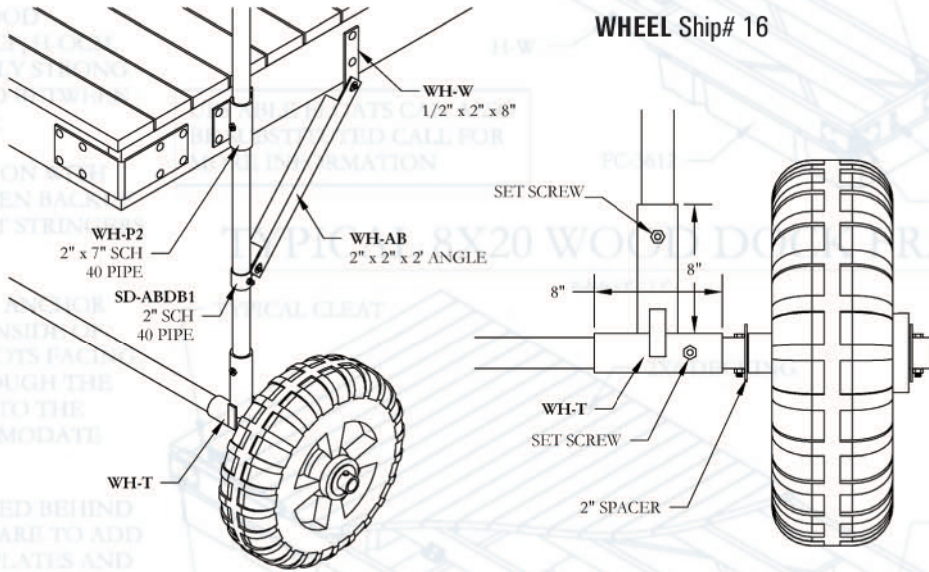
- DB-CM01** 40" x 19" x 21"
- DB-CM02** 48" x 20" x 18"
- DB-CM07** 75" x 27" x 26"
- DB-CM09** 96" x 22" x 25"

ROWING & KAYAK / DOCK BOXES



DOCK WHEELS

Merco Marine™ has developed hardware to go with the 24" diameter 8" tread width wheel. This wheel is blow molded from tough high-density polyethylene. They are rated at 700# load capacity and covered by a 3 year warranty.



WHEEL Ship# 16

The hardware can be used for roll in docks using our kit. You buy 1-1/2" schedule 40 pipe for the axle and upright. All the fasteners, brace and brackets come in the kit.

Kit Includes

- 2-Wheels 2-T-brackets 2-Dock side brackets
- 2-Braces 2-Brace brackets
- All hardware needed to attach to almost any dock
- All hardware is hot dipped galvanized

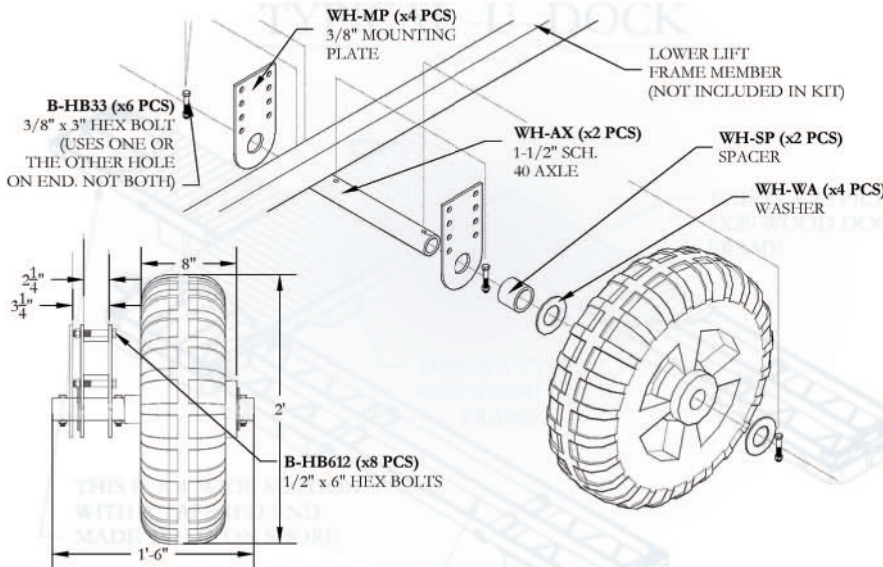
WH-DOCKKIT
Ship# 43

BOAT LIFT HARDWARE KIT

Put wheels on your boatlift and roll in and out for the season.

Kit Includes

- 2-Wheels
- 4-Mounting Plates
- 2-Axles
- All hardware needed to attach to almost any boatlift
- All hardware is hot dipped galvanized



WH-BOATLIFTKIT
Ship# 60

DOCK WHEELS



GANGWAYS

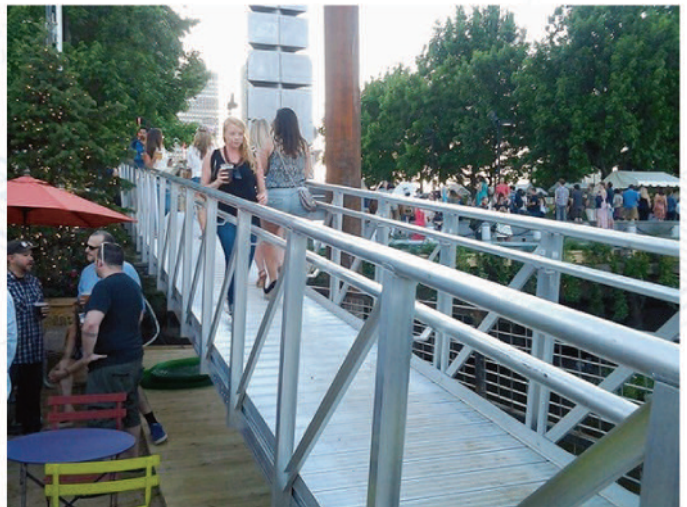
Our all-aluminum gangways are 100% welded and offer a detachable handrail up to 30' for easy shipping. Gangways over 30' have welded handrails. All gangways come standard with full width UHMW rollers, ramp cover plate and horizontal hinge assembly. The 6061-T6 extruded ribbed decking offers excellent skid resistance in wet and dry weather. All fasteners are stainless steel.



		Ship#
AG-315	3' x 15' Aluminum Gangway	400
AG-320	3' x 20' Aluminum Gangway	458
AG-325	3' x 25' Aluminum Gangway	589
AG-330	3' x 30' Aluminum Gangway	673
AG-415	4' x 15' Aluminum Gangway	460
AG-420	4' x 20' Aluminum Gangway	524
AG-425	4' x 25' Aluminum Gangway	670
AG-430	4' x 30' Aluminum Gangway	762

Call for other sizes. Available in many custom Lengths (up to 100') or width.

- Welded or Removable Handrail
- Ramps and Rollers or Hinged options on either end.

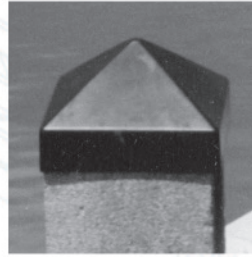


PILE CAPS

Mercó Marine's Pile Caps are injection molded in order to retain a uniform thickness of .100. Both round and square caps are cone shaped (a little tougher for birds to perch on). They are made from polyethylene, come in both black and white and have 4 pre-punched holes on the flanges for nailing.

SQUARE

ROUND



ROUND CAPS

Ship#

PCB-7	7"	Black	PCW-7	7"	White	1
PCB-8	8"	Black	PCW-8	8"	White	1
PCB-9	9"	Black	PCW-9	9"	White	1
PCB-10	10"	Black	PCW-10	10"	White	1
PCB-11	11"	Black	PCW-11	11"	White	1
PCB-12	12"	Black	PCW-12	12"	White	1
PCB-13	13"	Black	PCW-13	13"	White	1
PCB-14	14"	Black	PCW-14	14"	White	2
PCB-15	15"	Black	PCW-15	15"	White	2
PCB-16	16"	Black	PCW-16	16"	White	2

SQUARE CAPS

Ship#

PCB-8S	8"	Black	PCW-8S	8"	White	1
PCB-10S	10"	Black	PCW-10S	10"	White	2
PCB-12S	12"	Black	PCW-12S	12"	White	2
PCB-14S	14"	Black	PCW-14S	14"	White	2

STAINLESS FASTENERS

B-RN
Package of 25



B-RRS1
Package of 25



Mercó Marine™ warrants all its pile caps to the original owner against cracking, peeling and deterioration from ultraviolet rays under normal usage for 3 years from the date of purchase.

NEW! SHORT PIANO HINGES

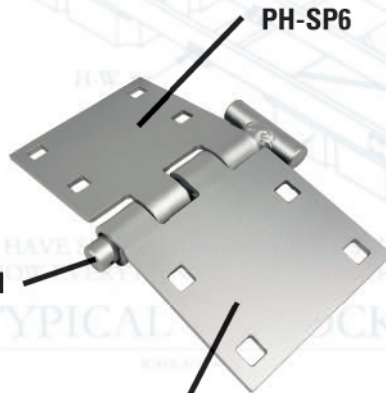


B-CLIP



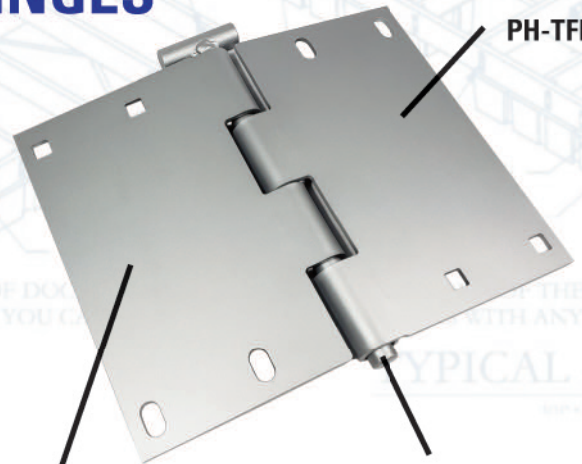
PH-SP6-TPIN

PH-SP6-PIN



PH-SP6

PH-SP6



PH-TFP12

PH-TFP12

PH-TFP12-TPIN

These Short Piano Hinges utilize the same one piece solid style as our standard piano hinges but are intended to cover multiple other uses in dock systems that our other piano hinges don't.

MORE INFO ON OUR WEBSITE UNDER DOCK COMPONENTS—PIANO HINGES

The pins are all 7/8" and the plates are all 3/16" thick. The PH-TFP12 is 12" tall and the hole pattern matches the pattern on our truss frame ends where we normally would attach the TF-HM/HF hardware. The PH-SP6 is 6" tall—more intended for wood dock. It can attach either to the top of your decking or through bolt into the sides of sections.

INDIVIDUAL COMPONENTS

PH-SP6	2.1
PH-SP6-PIN	1.2
PH-SP6-TPIN	1.7
B-CLIP	0.05
PH-TFP12	5.1
PH-TFP12-TPIN	2.7



PIANO HINGES

Merco Marine offers a dock piano hinge system using the components shown below to create a hinge system that can be used for several different widths, designs, and any length of dock that also works with most standard thicknesses of decking. Our piano hinge brackets are made of one solid piece of 3/16" steel that's mechanically formed and then hot dipped galvanized after fabrication.

TRUSS FRAME BRACKETS

WOOD DOCK / FLUSH BRACKETS

PINS FOR EITHER STYLE BRACKET



PH-TF3-1
Ship# 12

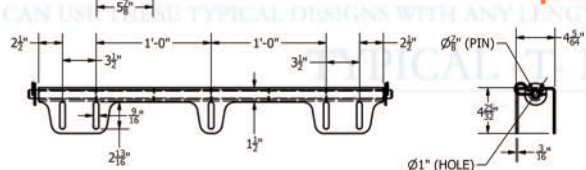
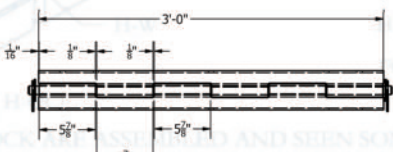
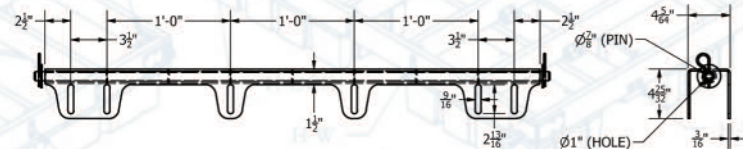
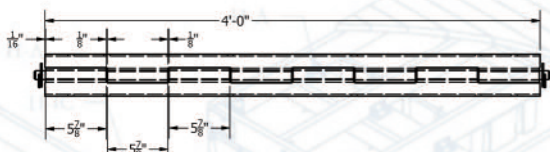
PH-TF4-1
Ship# 15



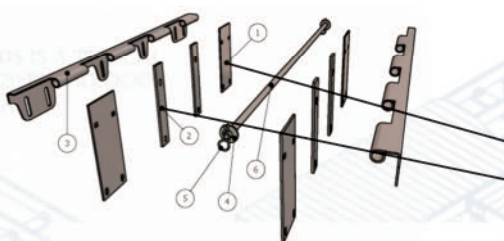
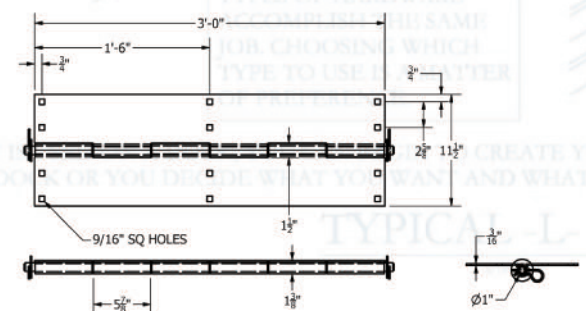
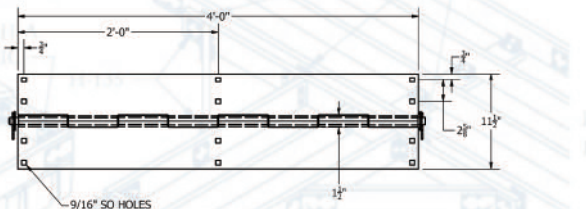
PH-WD3-1
Ship# 14

PH-WD4-1
Ship# 18

- Ship#
- PH-PIN3-1** 5
 - PH-PIN4-1** 5
 - PH-PIN6-1** 5
 - PH-PIN8-1** 5
- 7/8" x 38" PIN (for 3' hinge)
7/8" x 50" PIN (for 4' hinge)



More info available at
www.mercoboatdocks.com/dock-hardware/pianohinge



Optional Stiffener options shown left:

- PH-S5** 5" x 14" x 1/4" Plate Ship# 5
- PH-S2** 2" x 14" x 3/8" Plate Ship# 4

Each pin also requires 2 of each of the following:

- B-1W** 1" WASHER HDG
- B-CLIP** COTTER KEY CLIP



Below you will find examples of how piano hinge components can be used to make various hinge systems for your dock:



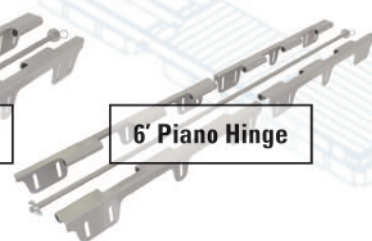
3' Wood dock / Flush Piano Hinge



3' Piano Hinge



4' Piano Hinge



6' Piano Hinge

Part Number	Qty Needed
PH-WD3-1	x2
PH-PIN3-1	x1
B-1W	x2
B-CLIP	x2

Part Number	Qty Needed
PH-TF3-1	x2
PH-PIN3-1	x1
B-1W	x2
B-CLIP	x2

Part Number	Qty Needed
PH-TF4-1	x2
PH-PIN4-1	x1
B-1W	x2
B-CLIP	x2

Part Number	Qty Needed
PH-TF3-1	x4
PH-PIN6-1	x1
B-1W	x2
B-CLIP	x2

RIDE ON PWC LIFT



PORT UNIT: **WP-SLX5**

HARDWARE OPTIONS



WP-SLXFA

More info on our website at www.mercoboatdocks.com/dock-accessories/personal-watercraft-lifts

- Rotationally Molded UV Protected Polyethylene
- Foam-Filled Interior (increases buoyancy and structural integrity)
- Integrated Side Pontoons (increases flotation and stability)
- Removable Bow Stop with Tie-Down Ring
- 12 Adjustable Polyurethane Overlaid Wheels
- Tan Textured Finish
- Molded-In Mounting Pockets In All Corners (for various anchoring)
- Integrates With Wave Dock System
- Can be utilized as a Stand Alone PWC Port, Connect Together or Attach to Other Floating Docks (utilizing SLX Attachment Kits)
- Port Length: 12 Ft. 8 In. Long
- Port Width: 5 Ft Wide
- Weight Capacity: 1500 Lbs
- Weight: 286 Lbs

KAYAK-N-RACK™



Merco's Kayak-N-Rack attaches to floating dock and provides a stable entry point for your kayak and has the added benefit of an area to store your kayak on your dock when not in use.

Ship# 72

KAYAK-N-RACK

TRUSS DOCK ADAPTERS & MORE INFO ONLINE AT:

www.mercoboatdocks.com/Kits-and-Completed-Units

Parts list:

- (1) 2- PIPE-2 41" Lengths of light pipe
 - (2) 3- PIPE-112G 46" Straight Pipes
 - (3) 2- PIPE-112GB Angled bottom braces
 - (4) 2- HF-3 Elbows
 - (5) 2- HF-5 Tee's
 - (6) 2- HF-12 Crosses
 - (7) 2- WH-P2 Pipe holders w/ set screws
 - (8) 2- SC-W150 Safety Caps
 - (9) 8- B-L3 3" Lag Bolts
- (optional truss adapter plates available)

FREE COOLIES

Would you like a free Merco beverage coolie or a hard copy of this catalog? Visit our website at www.mercoboatdocks.com/catalog for more info.



We'll send a free coolie with any catalog request completed from our website. SEE LINK ABOVE

PWC LIFT & KAYAK-N-RACK

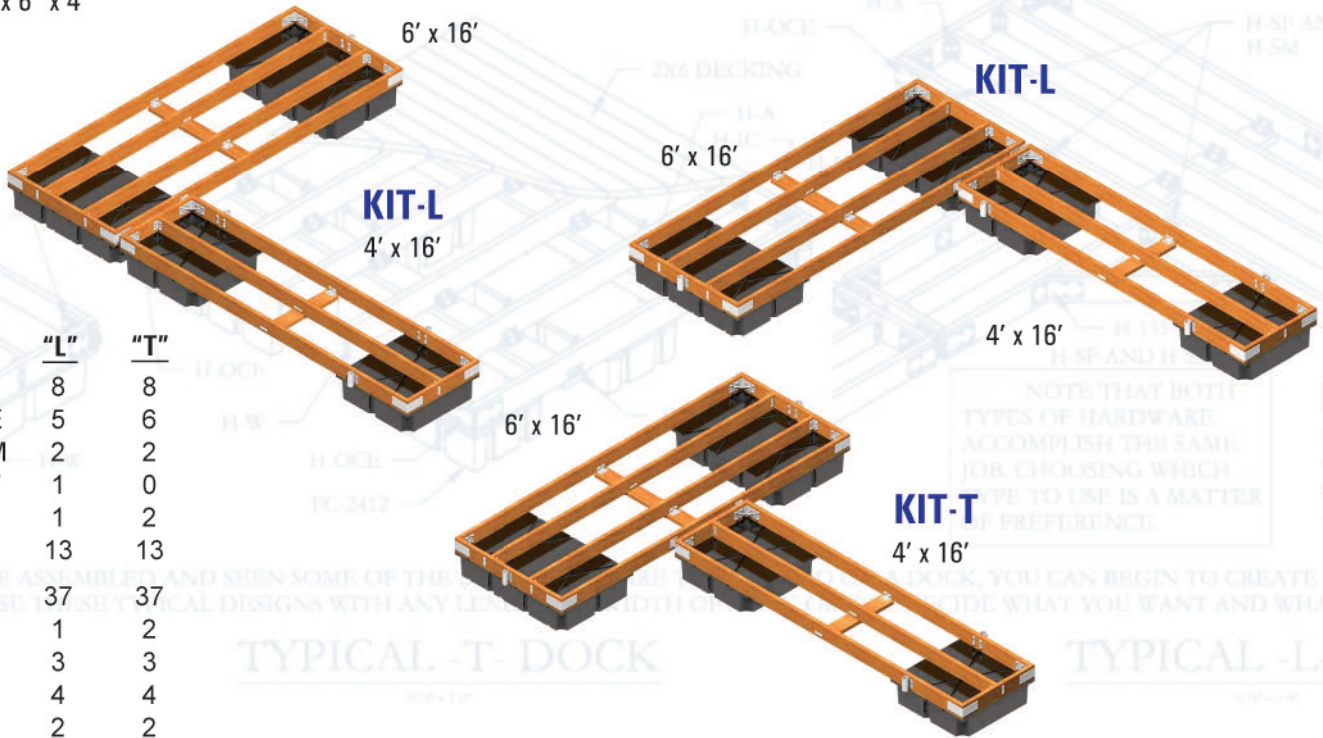
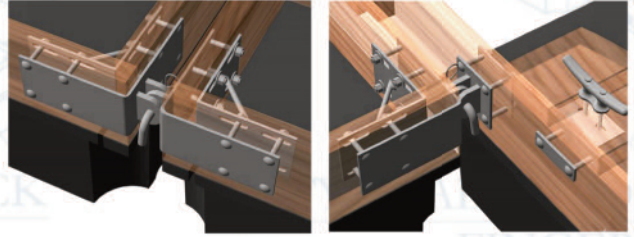


DOCK KITS

Merco Marine has put together 2 kits for wood docks. All the galvanized hardware including bolts are included in each dock kit. The lumber and decking can be bought locally.

KITS

Lumber Needed	Floats Needed	Decking Needed
7 2" x 8" x 16'	2 4' x 6' x 12"	160 Sq. Ft. of decking and screws
2 2" x 8" x 6'	2 4' x 4' x 12"	
2 2" x 8" x 4'		
2 2" x 6" x 6'		
1 2" x 6" x 4'		



Kit Use	"L"	"T"
HL-IC	8	8
HL-OCE	5	6
HL-OCM	2	2
HL-OCF	1	0
HL-SF	1	2
HL-A	13	13
HL-W	37	37
HL-B	1	2
HL-CA	3	3
PL-3	4	4
B-PIN	2	2
B-L4	32	32
B-CB2	142	146
C-10	3	3
B-HB538	6	6

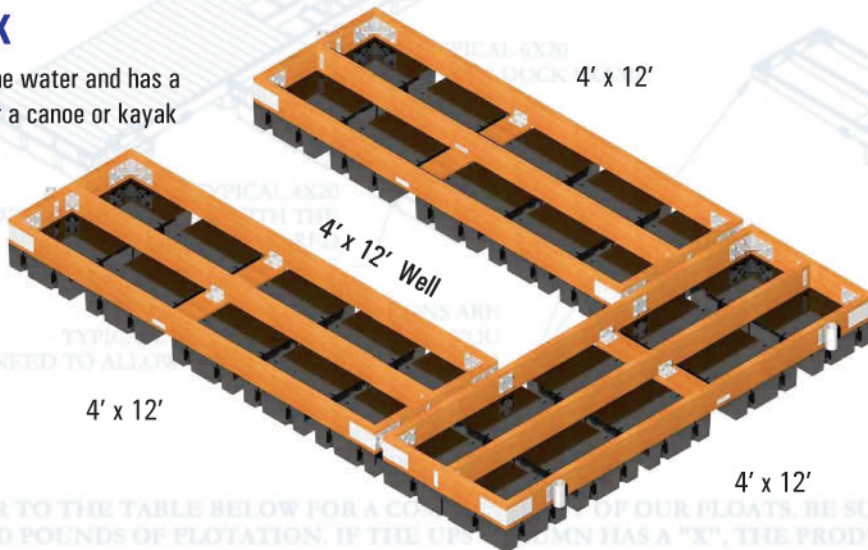
Lumber Needed	Floats Needed	Decking Needed
9 2" x 6" x 12'	15 2' x 4' x 8"	144 Sq. Ft. of decking and screws
9 2" x 6" x 4'		

Kayak Dock Kit You need

H-IC	12
H-OCE	6
H-NAOCM	4
H-NAOCF	2
H-NASF	2
P-3	4
H-A	15
H-W	38
H-B	2
B-PIN	8
B-CB3	180
B-L4	60

KAYAK DOCK

This dock sits low in the water and has a small 4' slip perfect for a canoe or kayak



HOLLAENDER FITTINGS

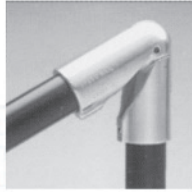
If you need to build a handrail, these fittings may be just what you were looking for. The special aluminum/magnesium alloy is compatible with galvanized schedule 40 pipe as well as aluminum schedule 40 pipe. We recommend 1-1/2" pipe in most cases and stock this size fitting. We like the lightweight, their great strength and their corrosion resistance.

#3 Elbow



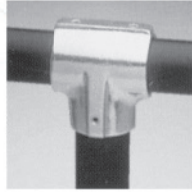
HF-3

#3AE Elbow



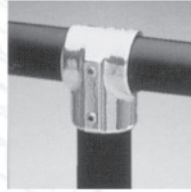
HF-3AE

#5 Tee



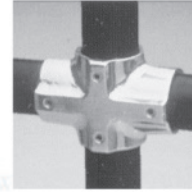
HF-5

#5E Tee



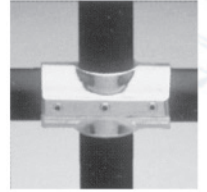
HF-5E

#7 Offset



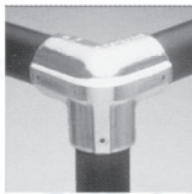
HF-7

#7E Cross-E



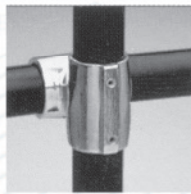
HF-7E

#9 Side



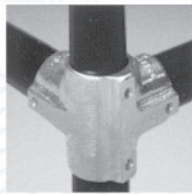
HF-9

#10 Cross



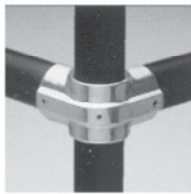
HF-10

#11 Side



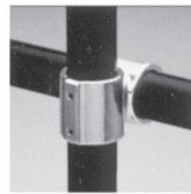
HF-11

#11E Side



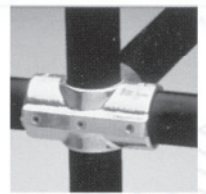
HF-11E

#12 Short



HF-12

#13E Side



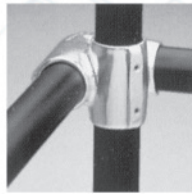
HF-13E

#17 Adj.



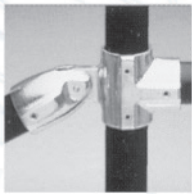
HF-17

#20 Outside



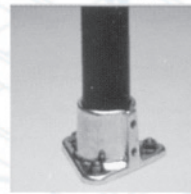
HF-20

#23 Adj.



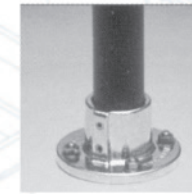
HF-23

#40 Flange



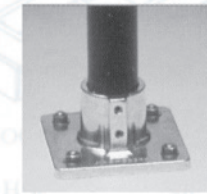
HF-40

#42 Round



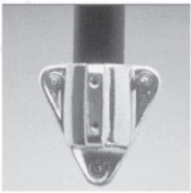
HF-42

#45SBC Sq.



HF-45

#50 Wall

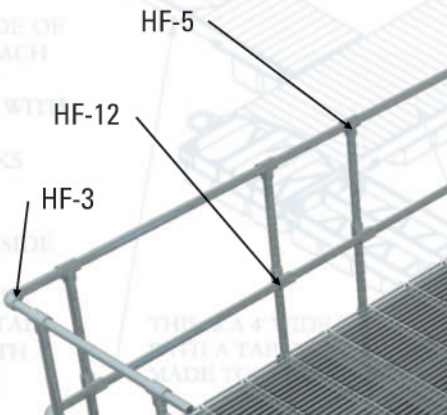
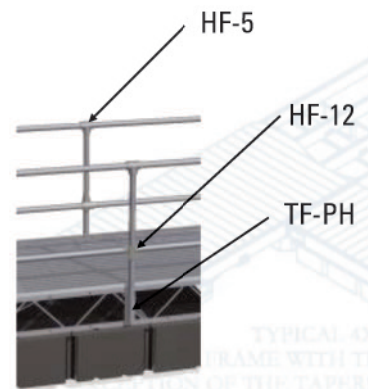


HF-50

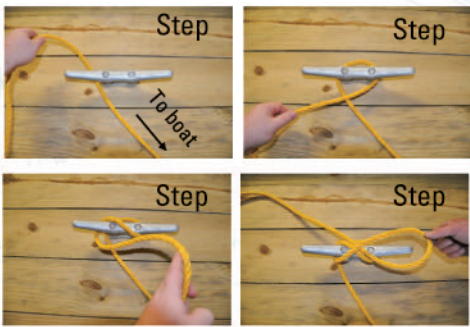
As a Hollaender distributor for the marine industry, we stock the above parts. There are a number of other fittings that could be special ordered. If you don't see what you need, give us a call and we will get you a complete list of rail fittings.

STANDARD

We use a lot of the HF-5, HF-12, and HF-3 fittings to build handrail sections for floating walkways and pump dock sections (pages 32-33). We make our own piece of hardware to attach handrail sections to our docks (TF-PH on page 56). Use the HF-5 on the top then the HF-12 for the midrail and the HF-3 for any corners. We use all 1.9 galvanized tubing for our handrail.



CLEATS



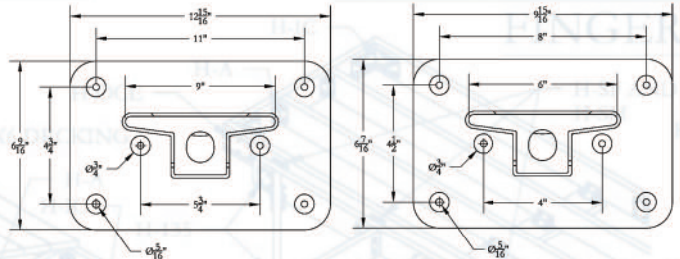
We see a lot of people struggling to tie a cleat so we thought we'd provide the correct method.



With this simple 4 step guide you can take one more step forward in becoming a docking



This heavy duty fold down cleat is made from filled nylon and is strong enough to be driven over. It can be bolted down from the top - rated for 1/2" rope. Has stainless hinge pin. Pat# 5,438,944

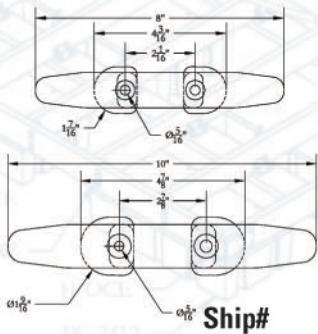


		Ship#
C-FD6	Black 6" Fold Down Cleat	2
C-FD9	Black 9" Fold Down Cleat	2

CLEATS



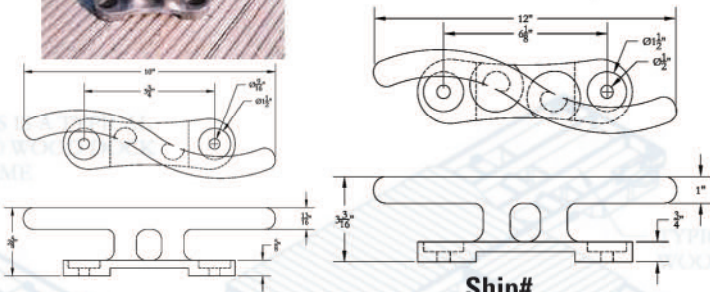
Our black nylon cleats are almost unbreakable and are resistant to salt and sun damage. Use two 5/16" flat head bolts to



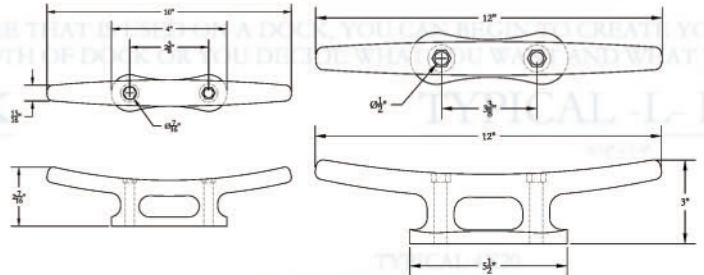
C-8N	8" Black Nylon Cleat	1
C-10N	10" Black Nylon Cleat	2



The cast aluminum S cleats work especially well if you have to bolt from the top down



C-10S	10" Aluminum S Cleat	2
C-12S	12" Aluminum S Cleat	3



Mercos's steel cleats are made from malleable iron and then hot-dipped galvanized. C-8 uses 5/16" hex head bolts, C-10 uses 3/8" hex head bolts, C-12 uses 3/8" hex head bolts. (Fasteners on page 28)

		Ship#
C-8	8" Galvanized Steel Cleat	2
C-10	10" Galvanized Steel Cleat	3
C-12	12" Galvanized Steel Cleat	4

Galvanized steel truss frame cleats. These cleats can be used when you don't want to or can't drill holes in your decking. We use a lot of these with concrete decking systems. The rod is 3/4" diameter 10" long and sticks above a 12" tall truss frame 5-3/4" (not including the decking or sleepers)

NEW!



C-10C	10" Galvanized Side Mounted Cleat	6
--------------	-----------------------------------	---



These heavy duty ship cleats are the same malleable iron hot dipped galvanized material as our galvanized cleats above, but are much heavier duty, about 2x stronger than a standard galvanized cleat.

C-10M	10" Steel Ship Cleat (use 1/2" hex bolts)	5
C-12M	12" Steel Ship Cleat (use 5/8" hex bolts)	9



LIGHTING AND POWER

HATTERAS



Height: 30"
Width: 7.5"
Depth: 7.5"

LIGHTHOUSE



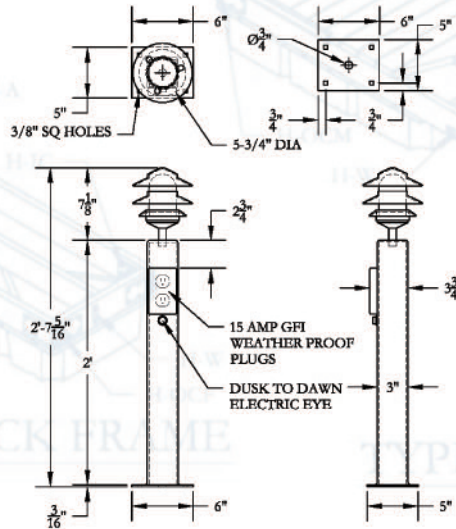
Height: 44"
Width: 13.75"
Depth: 13.75"

NEWPORT HARBOR MATE



Height: 14.5"
Width: 10.5"
Depth: 9.5"

Merco offers several types of power posts. Several standard features included on various models including photocell light control, weather-proof doors, hose and cable brackets, heavy duty polycarbonate housing, phone and TV connections, copper bus bar with ratings from 140-500 amps, hinged base for easy install and access, single or dual ball halves and hose bibs for water service, backlit face plates for easy night viewing. Call for the one that is right for you.



Merco Marine™ offers a heavy duty 3" square hot dipped galvanized utility post. It comes complete with 15 AMP GFI outlet, weather proof cover, electric eye, 2 tier louvered light and 20,000 hr. light bulb. Not UL rated.

UP-1 Utility Post Ship# 16

ECONOMY SOLAR POWERED LIGHTS



MODEL #
SL-9SOL

← 1 Mile Range

- 2 Mile Range
- Measures 5" x 7"

BOTH MODELS

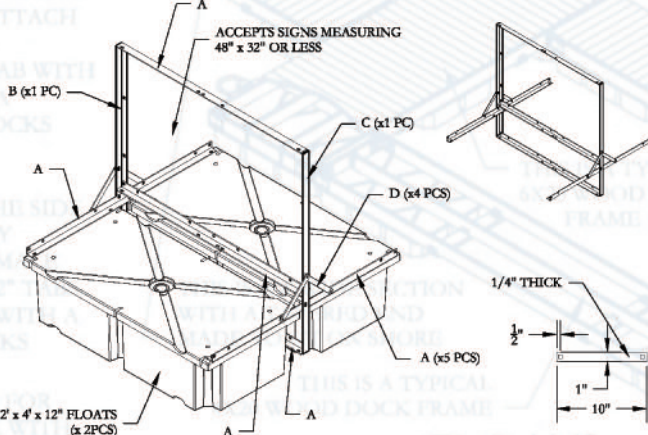
- Available In Universal Or 1" Pipe Mount
- Waterproof Polycarbonate Housing & Base
- Available In Different Flash Patterns
- Colors Available: Red, Green, Amber, Clear, Blue



MODEL #
SL-THF

FLOATING SIGN

USE 8 B-CB2 BOLTS TO BOLT FLOATS TO FRAME
USE 14 B-CB385 BOLTS TO BOLT FRAME TOGETHER



Heavy duty hot dipped galvanized frame, all fasteners, and 2 float drums. Sign measures 4' wide x 32" high. The entire sign floats approximately 46" out of the water and comes with clevis pins for attaching your anchor line. Get lettering done locally. Use plywood or plasticore for sign.

FS-0 Frame complete Ship# 120



WE ARE AN AUTHORIZED EATON MARINA POWER AND LIGHTING DISTRIBUTOR.

SOLAR LIGHTS & SIGN

SIESTA COMPOSITE DECKING

Mercob Marine™ carries Duralife Siesta Collection in 12', 16', and 20' lengths in golden teak and gray colors. It is 5/4 decking which measures 1" x 5-1/2" and can be screwed down or put down with a hidden clip. It's made of polypropylene which melts at 320°F.

Weight: 2.2 lbs Per Foot • High Friction Coefficient
UV Stabilization • Wood Grain • Polypropylene
Call For Pricing



*Static build-up is a natural occurring phenomenon & could occur with Siesta decking.



Mercob Marine™ is a stocking distributor of Kong Coolers. Like our own products these coolers have always been Made in America, and we always will be. They have been tested by third party reviewers to hold ice for 10+ days, which is longer than most other leading brands.

KONG Coolers are well-known for unique add-on accessories including the Divider, Cut'n Tray, Kicker, and Bottle Biter. Many of our accessories are multi-functional. Shop accessories here.

The handles and latches are made of nylon, making them more sturdy and dependable. Most companies use rope handles and rubber latches. The lid open up at a 45-degree angle while up against a hard surface, making them more user friendly.

MC-70-W 70 Quart White

MC-70-G 70 Quart Gray

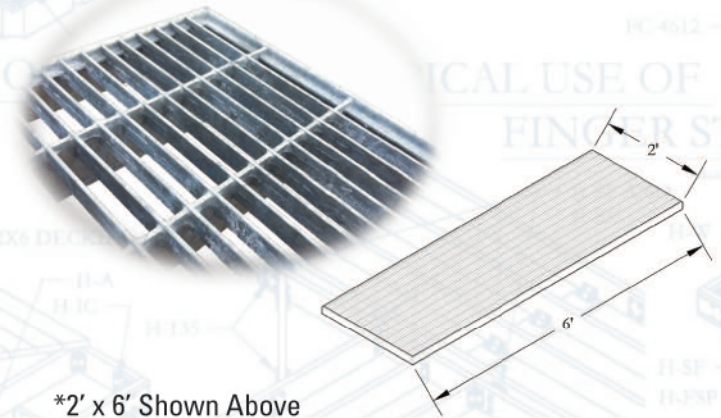
MC-70-T 70 Quart Tan

Features:

- **Capacity** (half ice, half beverages): 45 12-oz cans and 33 lbs ice
- **Weight:** (when empty): 38 lbs
- **Inside Dimensions:** (LxWxH): 26.375" x 12.125" x 13"
- **Outside Dimensions:** (LxWxH): 34.5" x 18.375" x 17.875"
- **Divider:** Included

GALVANIZED STEEL GRATING

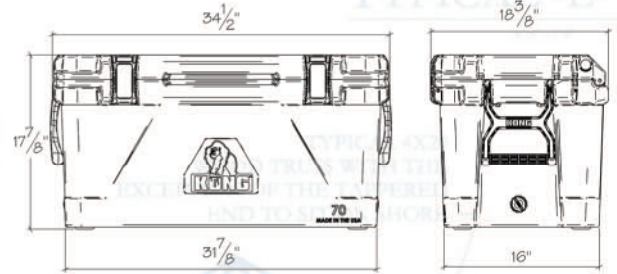
Our press lock decking comes standard (already included) on our vertical pump floating platform (on page 32) but it can be purchased individually as shown below. These are industrial strength galvanized steel panels, great for high traffic or commercial needs. These are ideal for walkways and ramps. Allows for 65% sunlight penetration.



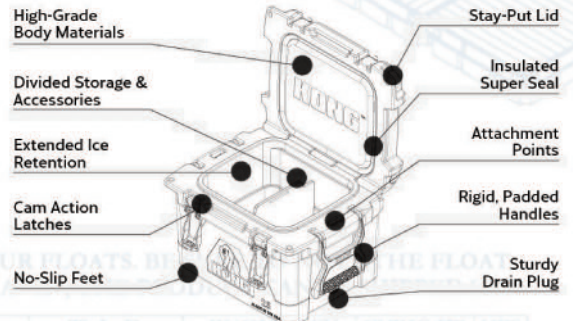
*2' x 6' Shown Above

VP-GRATING24	(2' x 4' x 1-1/4")	Ship# 39
VP-GRATING26	(2' x 6' x 1-1/4")	Ship# 59
VP-GRATING34	(3' x 4' x 1-1/4")	Ship# 59
VP-GRATING45	(4' x 5' x 1-1/4")	Ship# 88

COOLERS



DECKING



TAKE UP REEL



Mercó's cable take up reel can be used instead of a winch in many cases. Entire unit is hot dipped galvanized. Will house approx. 180' of 5/8" cable. Comes with 5/8" locking pin that can be locked with padlock. This take up reel is 2'6" tall, base and frame are 1/2" steel.

H-TUR Take Up Reel 140#

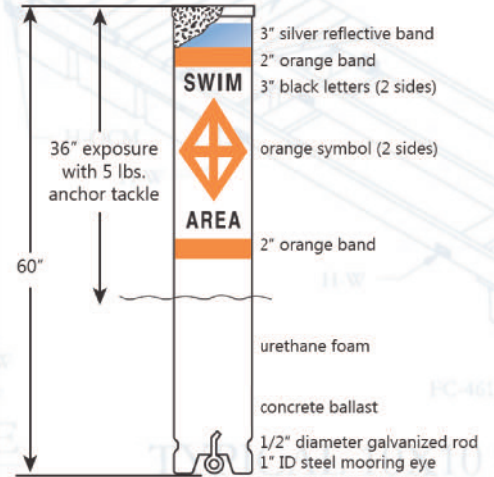
BENCH



It is nice to have a bench on the dock for that early morning cup of coffee or that late sunset. Our bench kit comes with bench ends only or complete with seats and back. Legs are hot dipped galvanized. Bolts directly to your dock. Bench seats and back are IPE. (Bolts to attach Bench to a dock are not included)

	Ship#		
BEN-ENDS	2 Bench Ends	30#	
BEN-4	4' Complete Bench	72#	

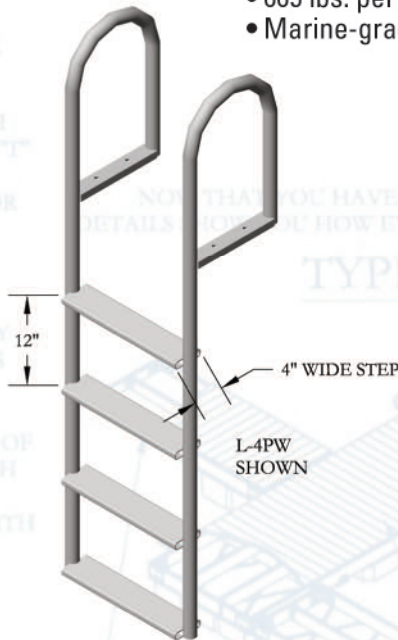
MARKER BUOYS



- MB-1** Slow 5 MPH
- MB-2** Slow No Wake
- MB-3** Rock
- MB-4** Danger
- MB-5** Danger Dam
- MB-6** Swim Area 9" DIA.
- MB-7** Boats Keep Out Ship# 56

WIDE STEP LADDERS

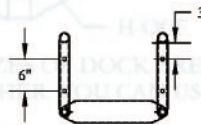
- 4" wide steps
- 665 lbs. per step
- Marine-grade aluminum



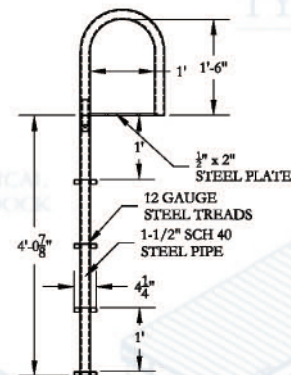
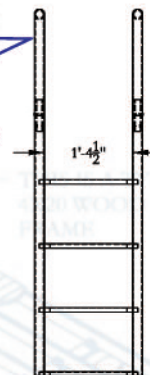
L-4PW	4 Step
30#	
L-5PW	5 Step
70#	

STEEL SAFETY LADDERS

Mercó's galvanized steel ladders are a great way to add a ladder to your dock at a minimal cost. These ladders are great for emergency use. The hot dipped galvanizing on the steel ladder will last in most environments for a long time. The steps are 16-1/2" wide and 4-1/4" deep, 400 lbs per step weight capacity, and are available in 4 - 6 step models standard.



HOT DIPPED GALVANIZED AFTER FABRICATION



LM-4	4 Step Model	68#
LM-5	5 Step Model	75#
LM-6	6 Step Model	83#

Great For Sea Walls

LADDERS



LADDERS

All of our pipe ladders are constructed using 6063 T5 marine grade aluminum 1-1/4" and 1-1/2" pipe, tig welded for maximum strength. The ladder rung is extruded with grooves to give you a non-skid surface. Ladders can be used for both salt and fresh water applications and can be used for docks or seawalls. More information including ladder measurements available on our web site.



LIFTING LADDER

Our lifting ladder can be raised vertically to clear the water after each use. Out of the water, the treads stay clear of marine growth. The ladder features plastic coated lift cables, welded treads and rails to assure strength and rigidity. 300 lb. capacity - requires mounting bolts.

	Step	Ship#
L-5LL	5	70#

Mercos Marine's ladder was designed for docks, swim floats and float boats. It can be attached to almost anything that has a flat surface. The included quick release hardware allows it to be easily removed when not in use. Why Merco's ladders and not someone else's?



- 250lbs. weight capacity
 - Marine grade aluminum construction
 - Heavy duty uprights (.060)
 - 304 stainless steel fasteners
 - Quick disconnect hardware included
 - Non-skid steps
- Quick Disconnect Shown below



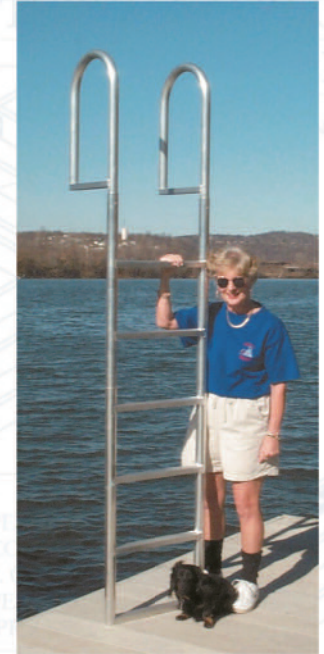
The L ladders slope away from the dock for ease of climbing. Ladders include the quick disconnect hardware and ship UPS.

	Ship#
L-4	30#
L-AK	1#

HEAVY DUTY DOCK LADDER

Our all aluminum welded ladders can be used on sea walls, stationary docks or floating docks. Will give you years of service. 300 lb. capacity. Requires mounting bolts.

	Step	Ship#
L-4P	4	30#
L-5P	5	70#
L-6P	6	70#



FLIP UP LADDER

This heavy duty all welded aluminum ladder flips up and out of the water. It has a stabilizer pin to remain in an upright position. Comes in 4, 5, and 6 steps. Requires mounting bolts.

Step	Ship#	Price
L-4S	4	30#
L-5S	5	70#
L-6S	6	70#



DOCK WHEELS

Merco Marine™ heavy duty corner wheel and brackets are made with galvanized steel and 1-1/2" schedule 40 center posts to take lots of punishment. All brackets include a heavy 12" vinyl inflatable wheel and have a special hub for wear. These wheels are great for docking especially when high winds and current make docking difficult. The DW-12HE and the DW-12HLE are designed for use with new construction dock. All other models can be a bolt on accessory to existing dock. The wheel comes standard in either black or white.

All DOCK WHEEL KITS come complete with vinyl wheel, bracket, and assembly components. (does not include fasteners to attach to your dock)

Replacement vinyl wheels:	Ship#
DW-12W 12" White wheel only	3#
DW-12WB 12" Black wheel only	3#

Thickness 1/4" Fasteners 3/8"

12" Dock Wheel & 1-1/2" Lip - Corner Use
Complete Kit Ship# 8
DW-12WD WHITE WHEEL
DW-12WD-B BLACK WHEEL

Thickness 3/16" Fasteners 3/8"

Complete Kit Ship# 11
DW-12 WHITE WHEEL
DW-12-B BLACK WHEEL

12" Dock Wheel & 4" Lip - Corner Use.

Thickness 1/4" Fasteners 1/2"

12" Dock Wheel & Outside Corner End (H-OCE on page 8)
Complete Kit Ship# 12
DW-12HE WHITE WHEEL
DW-12HE-B BLACK WHEEL

Note: Drawing for this wheel is almost the same as the DW-12HLE-B below except the bracket is an H-OCE seen on page 8

Thickness 3/16" Fasteners 3/8"

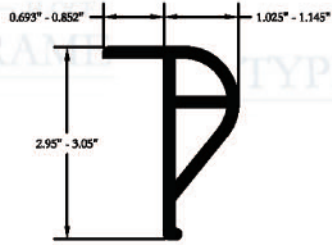
12" Dock Wheel & Straight Bracket
Complete Kit Ship# 8
DW-12S WHITE WHEEL
DW-12S-B BLACK WHEEL

Thickness 3/16" Fasteners 3/8"

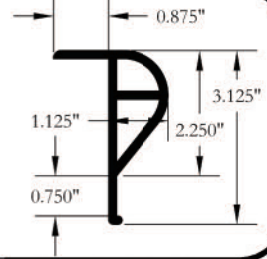
12" Dock Wheel & Outside Corner Light-weight End (HL-OCE on page 12)
Complete Kit Ship# 10
DW-12HLE WHITE WHEEL
DW-12HLE-B BLACK WHEEL

RUBRAIL

Merco Marine™ has eleven rubrail profiles. We designed our P style rubrail with a sloped bottom half. As boats rock up and down they tend to glance off ours instead of tearing it off the dock. That is just the beginning. Our flexible PVC will not crack, rot or deteriorate when exposed to extreme temperatures. It is unaffected by oil, gas or saltwater and has UV inhibitors to prevent yellowing and deterioration from sunlight. Most important, it won't mark your boat. We even add a fungicide.



Our DE-40W 40' Dock Edging (shown right) comes in 4' sections 10 per box (40' total) and includes 180 stainless ring shank nails.



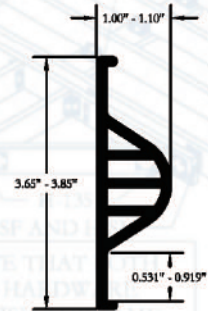
DE-40W White 40' Length 31 lbs

RR-5000 White 10' Length 7 lbs

RR-5001 White 10' Length 9 lbs

RR-5001B Black 10' Length 9 lbs

RR-5001G Gray 10' Length 9 lbs



RR-5007 White 10' Length 10 lbs

RR-5007B Black 10' Length 10 lbs

ALL RUBRAIL AVAILABLE IN 10' LENGTHS

RR-5002 White 10' Length 11 lbs

RR-5002B Black 10' Length 11 lbs

RR-5008 White 10' Length 18 lbs

RR-5008B Black 10' Length 18 lbs

Note: Only small 2" sample lengths shown

RR-5005 White 10' Length 11 lbs

RR-5005B Black 10' Length 11 lbs

RR-5005G Gray 10' Length 11 lbs

Stainless 1-1/2" Ring Shank Large Head Nail
25 per package
B-RN

Stainless 8 x 1-1/4" Phillips Head Screw
25 per package
B-RRS1

NEW RUBRAIL AND DECKING ON THIS OLD DOCK MADE IT LOOK BRAND NEW!

SEE OUR RUBRAIL IN USE ON PAGES 5-7 AND 57-63

RR-5006 White 10' Length 14 lbs

RR-5006B Black 10' Length 14 lbs



RUBRAIL



WOOD PILING BUMPERS

Our heavy duty polyethylene piling bumper comes 2 in a box with stainless ring nails to fasten to your wooden pile. 48" length - Blue or White.



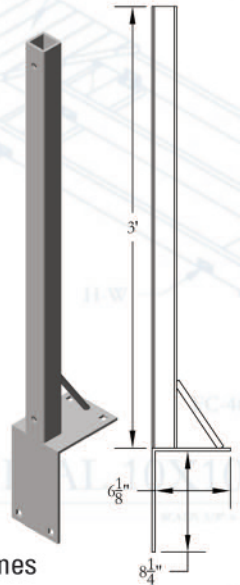
RR-HDPB-B Blue
RR-HDPB-W White
 2 48" lengths per box 8lbs
 16lbs dimensional weight

UPRIGHT BUMPERS

Protect your boat with Merco's heavy duty uprights. They extend 3' above the dock and 2' below. Attach a 2" x 6" and our RR-5007 hot dipped galvanized.



H-UPW designed for wood dock Ship# 18
H-UPT designed for our truss frames Ship# 20



HIGH IMPACT BUMPERS

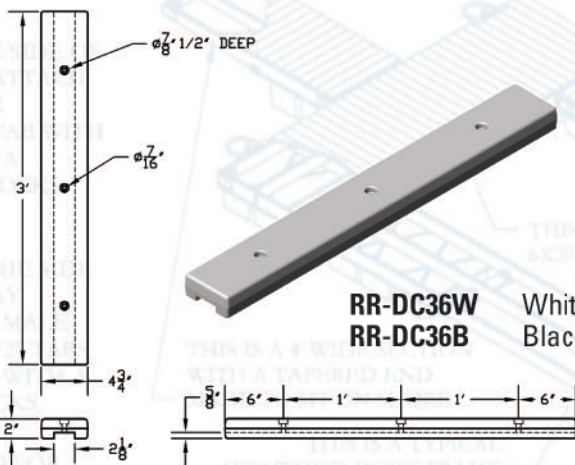


Merco Marine's edge and side protectors are blow molded from high density polyethylene, have excellent cold impact and chemical resistance and are UV protected. Attach with 3/8" lag or carriage bolts (not included). Yellow color.

RR-426 42" long - 4" top x 6" side Ship# 8
RR-7210 72" long - 10" high x 2" thick Ship# 14

Merco's 3' dock cushions come in either white or black, are made from high density-high impact polyethylene and have a

2" groove for 2" square tubing. Can also be bolted to flat surfaces.



RR-DC36W White Ship# 2
RR-DC36B Black Ship# 2

CORNER BUMPERS



Merco's tough marine grade vinyl corner bumpers are structurally designed to allow impact but pliable enough so not to damage your boat. They are available in white, black, and gray and have U.V. and fungicide protection and measure 9-1/2" x 9-1/2" x 3-1/4". Manufactured using liquid vinyl—the same material used in our dock wheels (page 50).

CB-W Corner Bumper Ship# 3 White
CB-B Corner Bumper Ship# 3 Black
CB-G Corner Bumper Ship# 3 Gray



Ask your sales rep about custom names and branding!
 (Available in order quantities of 500 or more)

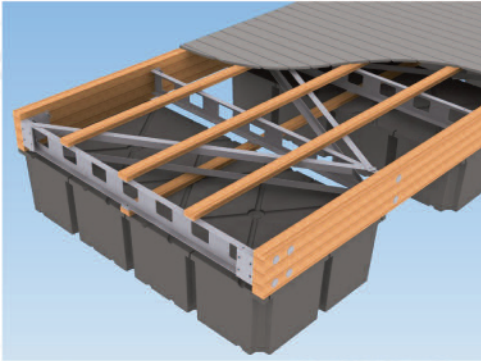


TRUSS AND WOOD

Merco Marine's heavy duty dock can be shipped by truck and easily assembled on site. The system uses 3/16" truss inner frame cross members and angle supports every 4'. 4" x 12" nominal (3-1/2" x 11-7/8" actual size) timbers are used for side stringers. The system is bolted together using 5/8" bolts. Doubled 2 x 12 can be substituted for the timber.

FEATURES:

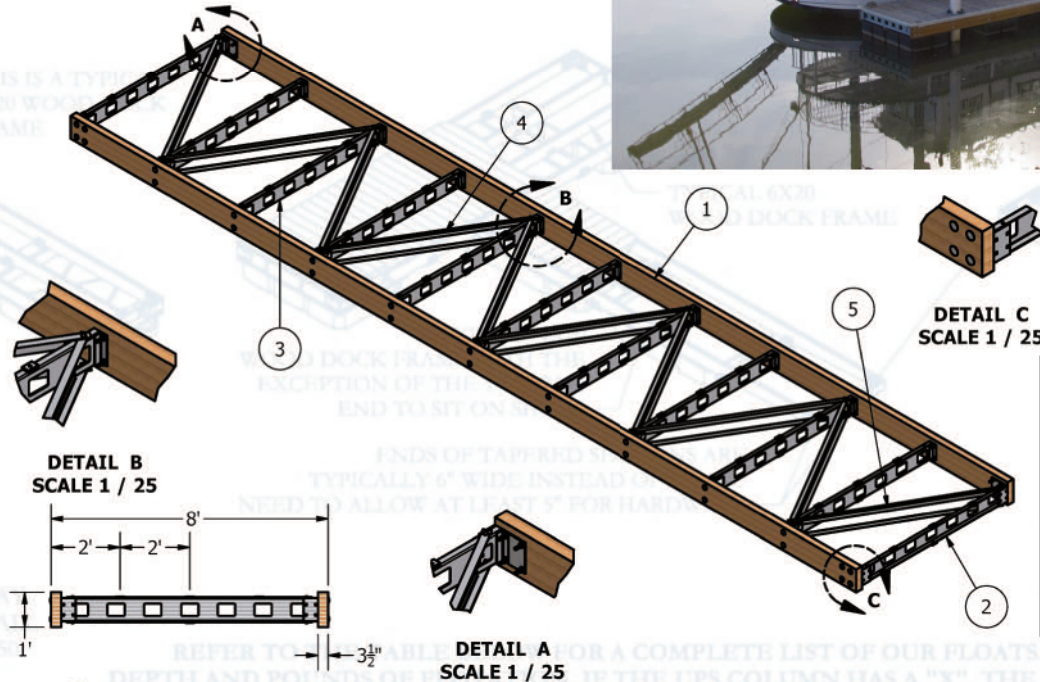
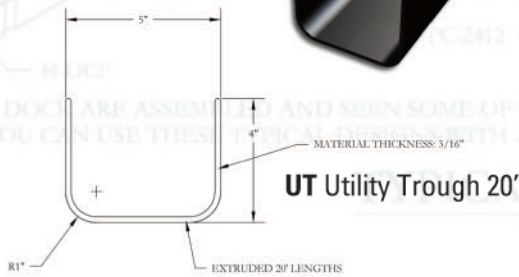
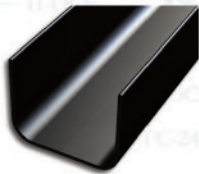
- Can be built in 2', 3', 4', 5', 6', and 6' widths.
- Interior framing is made of 3/16" steel hot dipped galvanized after fabrication. Bolts to side stringers using 5/8" bolts.
- Lengths up to 50'
- Many decking and accessory options available
- End connectors can be bolted to create "hinge points"
- Glue lam side stringers are 4" x 12" (3-1/2" x 11-7/8" actual) or substitute double 2" x 12" lumber



Merco has developed a Utility Trough for this type of dock construction that provides a place to run utilities through your dock such as power, cable, ect. Available in 20' lengths.

CALL FOR A CUSTOM LAYOUT AND PRICING.

The marina above and the sternwheeler dock below were both constructed using our truss and wood system.



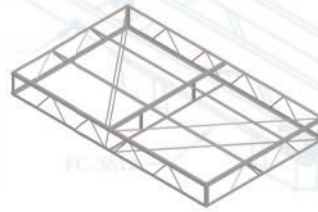
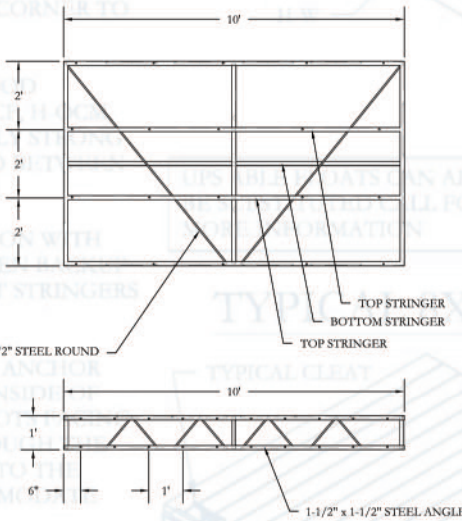
Parts List for an 8'x40' section		
Item	Part Number	Qty
1	4"x12"x40'	2
2	PAR-EMP8	2
3	PAR-CM8	9
4	PAR-DB8	20

TRUSS AND WOOD

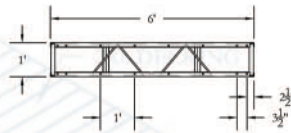
TRUSS FRAME DOCK

Almost anyone can weld angle together and call it a dock. At Merco Marine™ we have designed a system using 1-1/2" x 1-1/2" x 3/16" angle and 1/2" round bar that make a rigid system. The pre-punched holes make it easy to bolt sections together with 1/2" x 1-1/2" bolts. A punched system on top allows a nailer strip to be bolted to the top frame and decking can then be nailed or screwed to this nailer. All frames are hot dipped galvanized after welding. Frames can be

purchased un-galvanized for the do-it-yourselfer that want to paint it themselves. Our frames are 10' in length and 12" high and come in 2'-3'-4'-5'-6'-8' widths. Special custom sizes are also available. Hinges, pile holders and other accessories are available.



Drawing of TF-610



1-1/2" x 1-1/2" x 3/16" Angle Truss Frames

		Ship#
TF-210	2' x 10' Truss Frame	148#
TF-310	3' x 10' Truss Frame	157#
TF-410	4' x 10' Truss Frame	174#
TF-510	5' x 10' Truss Frame	225#
TF-610	6' x 10' Truss Frame	243#
TF-810	8' x 10' Truss Frame	292#

2" x 2" x 3/16" Truss Frames

		Ship#
TF-210-2	2' x 10' Truss Frame	166#
TF-310-2	3' x 10' Truss Frame	207#
TF-410-2	4' x 10' Truss Frame	230#
TF-510-2	5' x 10' Truss Frame	319#
TF-610-2	6' x 10' Truss Frame	332#
TF-810-2	8' x 10' Truss Frame	410#

HEAVY DUTY!

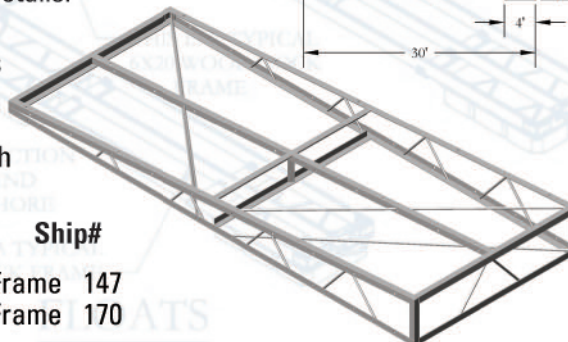


We sell 100's of Truss Frames each year!
Many are Custom – Call one of our sales team to see what suits your needs.

TRUSS FRAME LAYOUTS

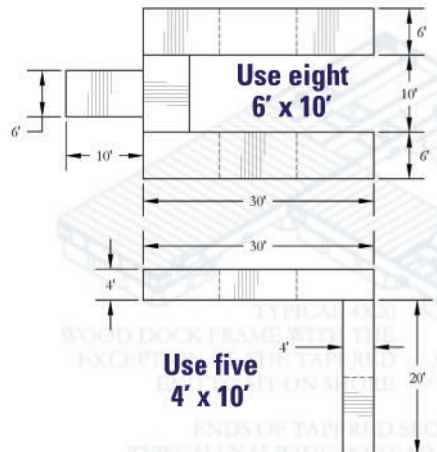
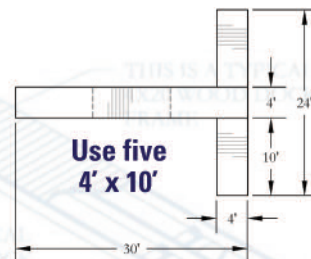
These are only a few of the layouts you can do with truss frames. Truss frames are easier to construct dock with. Bolt frames together then add floats and decking. The decking you can buy locally and save shipping costs. Call one of our sales specialists for details.

Merco's Tapered Truss sections are 3" at the tapered end and 12" at the other end. They are great for ramps and come in both 3' and 4' wide x 10' long.



Ship#

TF-310T	3' x 10' Tapered Truss Frame	147
TF-410T	4' x 10' Tapered Truss Frame	170

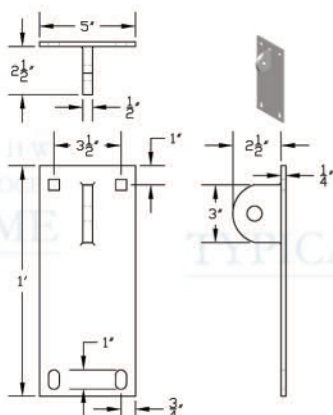


TRUSS FRAME DOCK

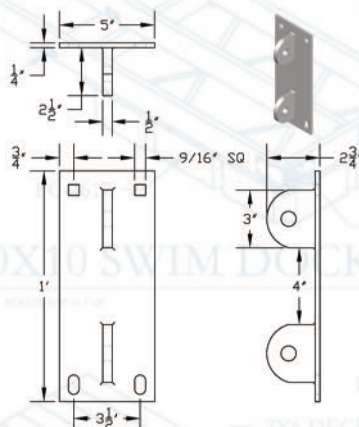


TRUSS DOCK ACCESSORIES

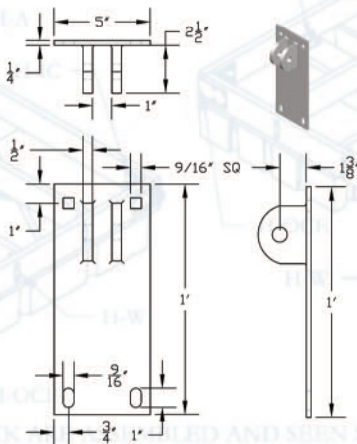
TRUSS DOCK ACCESSORIES



TF-HM (MALE)



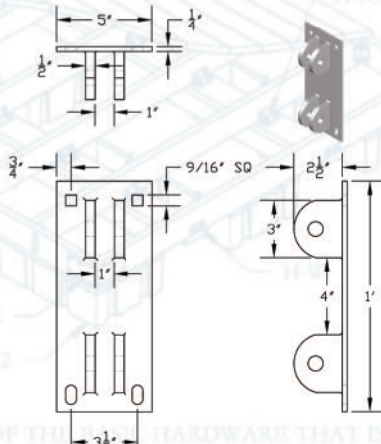
TF-HMD (MALE)



TF-HF (FEMALE)

You can easily hinge truss sections together with our hinge assemblies. Male and female tab plates bolt directly to the truss frames. Use a B-HB3 (3/4" bolt) or B-PIN (connector pin) to connect together.

	Ship#
TF-HF	7#
TF-HM	6#
B-PIN	1#



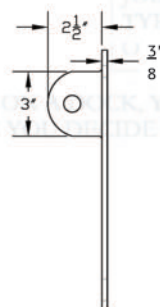
TF-HFD (FEMALE)

Sometimes you need to attach dock sections together and don't want them to hinge. Using our double tab plates and 3/4" bolts or B-PIN, sections remain rigid.

	Ship#
TF-HFD	9#
TF-HMD	7#
B-PIN	1#

HEAVY DUTY TRUSS HARDWARE

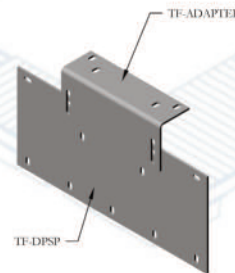
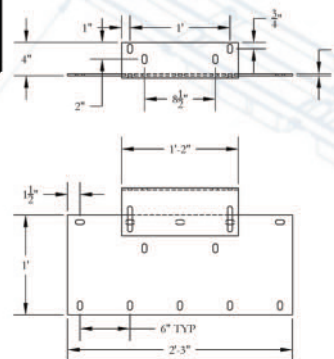
Sometimes you need the option to beef up your hinge plates. We've added Heavy Duty truss plates that are the same configuration as our TF-HM & TF-HF hardware with one difference. The plate, which is normally 1/4" on our standard hardware is 3/8".



When using this thicker hardware keep in mind the thicker plate adds a total of 1/4" to every hinge location. This might not seem like a lot but over the length of your dock could add up quickly.

	Ship#
TF-HD-HM	9#
TF-HD-HF	10#

TRUSS DECK PLATES



**TF-ADAPTER
TF-DPSP**

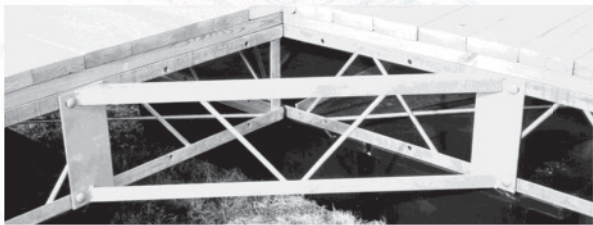
Mercob manufactures so many different types and sizes of hoops that all have their own mounting plate but most of those were designed for wood dock. With the setup shown here you can take any of our hoops and mount it to a truss frame.

You can use the TF-DPSP by itself and it has slots to attach a roller assembly but when you mount the roller assembly on the face of the plate you lose 2-1/4" off the length diameter of the hoop. That's where the TF-ADAPTER comes in. The adapter allows the roller assembly to be mounted to the top of the dock, just like all of our other hoops. The long slots in the face allow for several different sleeper and decking setups. The adapter works using anything from 3/4" plywood, all the way up to 2x4 sleepers and 2x6 decking (totaling 3").



TRUSS DOCK ACCESSORIES

FINGER STABILIZER



Merco's truss finger stabilizer is easy to attach and really stiffens up fingers. Made from 1 1/2" x 1 1/2" x 3/16" angle, it extends down the finger and dock 30".

TF-FS Ship# 23

Step by step picture instructions Included when you buy truss frames to assemble yourself.



TRUSS PIPE FINGER STABILIZER

Our pipe type finger stabilizer uses 2 - H-SF (Single "T" Female), 2 - H-AP (Attachment Plates) and 1 - H-FSP (4' x 1 1/2" pipe). Attach with B-PIN or B-HB3.

Ship#

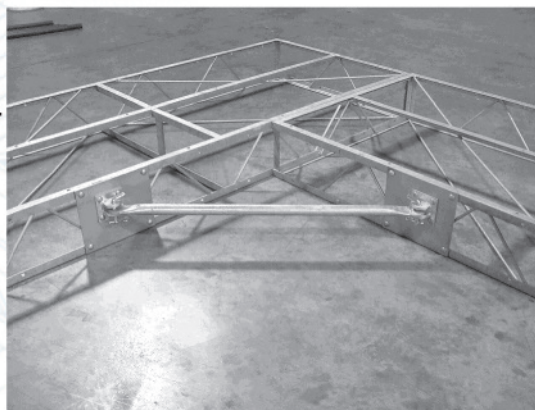
H-FSP Finger Stabilizer Pipe 12#

H-AP 2-Attachment Plates 20#

H-SF 2-Single "T" Female 8#

B-PIN 2-Connect Pins 1#

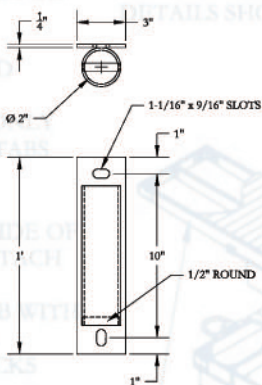
H-FSCOM Finger Stabilizer complete with Bolts and Pins and includes all hardware listed above.



TF-P3



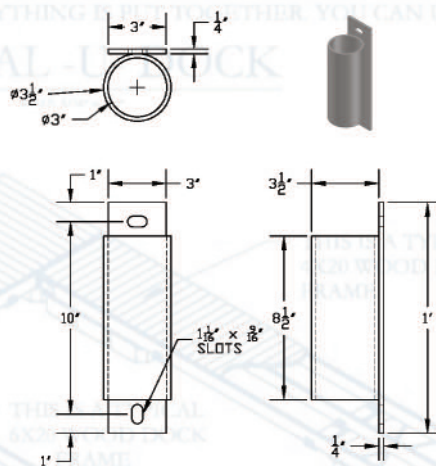
TRUSS FRAME HANDRAIL PIPE HOLDER



This pipe holder has a stop in the bottom for 1-1/2" hand rail uprights. Bolt directly to truss frame side. Use with Hollaender fittings.

TF-PH Ship# 10

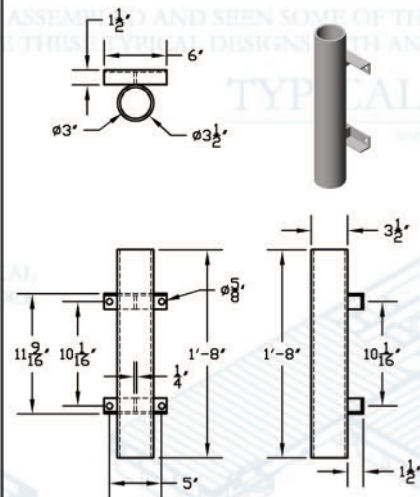
TRUSS FRAME 3" PIPE HOLDER



This pipe holder bolts directly to truss frame side and is used with 2" SCH 40 pipe to hold a dock in place. See picture above and to the right.

TF-P3 Ship# 10

TRUSS FRAME INSIDE PIPE HOLDER



Bolt this pipe holder to the inside of a truss frame. Uses 2" pipe.

TF-P320 Ship# 15



TRUSS DOCKS

All of the projects below and continued on page 58 are constructed using our galvanized steel truss frame dock systems which can be found on pages 54-56. They are all either 1-1/2" angle or 2" angle



Homeowners Dock in Pennsylvania



Marina in Michigan



Marina in Pennsylvania



Marina in Michigan



Marina in North Carolina



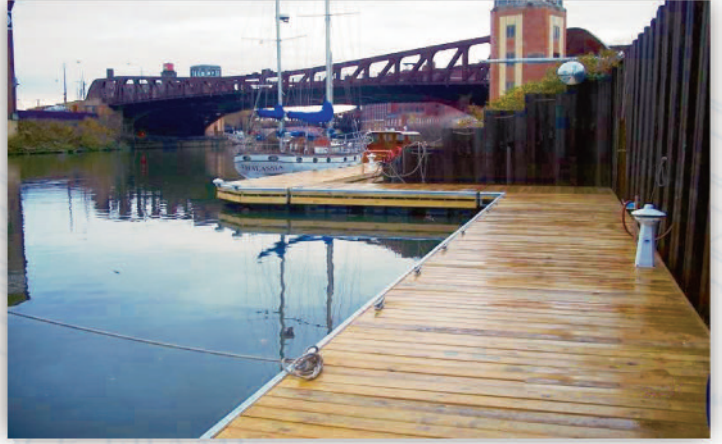
Marina in Ohio



TRUSS DOCKS



Dam Fishing Pier



Marina in Chicago, IL



Marina in Ohio



American Queen in Wellsburg, WV



Marina in Pittsburgh, PA



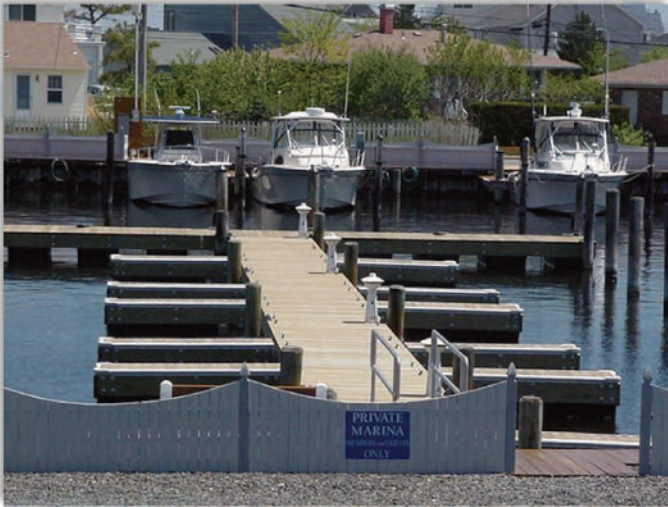
National Park Canal Boat Docks



Boy Scout Camp in Missouri



TRUSS AND WOOD DOCK



Marina using Truss and Wood Dock



Yacht Club in Pittsburgh, PA



8' x 10' Section



Floating Boathouse



Partial Truckload of Truss and Wood Dock Ready to ship

MERCO DONATIONS

We try to support organizations in any way we can that we feel deserve it. We have donated to several different local and state level agencies and organizations throughout our years in business. Some of these organizations include the following:

- Wheeling Fire Department
- Deerasic Park Cambridge, Ohio
- Wheeling Vintage Raceboat
- Wheeling Dragon Boat Race
- Brooke County Committee on Aging
- New Martinsville Records Challenge & Regatta
- City of Wellsburg, West Virginia
- Boy Scouts of America
- Pine Valley Sportsmans Club
- Steel City Rowing
- Brooke County, WV Sheriff



Shown above are the owners of Merco Marine Scott Gallagher and Dan Otto accompanied by a representative from the Brooke County Sheriff department receiving a brand new dock donated by Merco Marine in the spring of 2018. The dock is utilized by not only the Sheriff but also local fire departments and the WVDNR.



DOCK ACCESSORIES



Stationary Dock (pages 29-31)



Ladders (pages 48-49)



Pile Caps (page 39)



Power Posts (page 46)



Corner Bumpers (page 52)



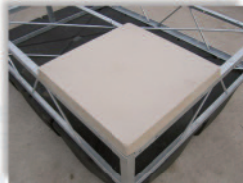
Truss Frame Hardware (page 55)



Pile Guides (pages 20-27)



Bumpers (page 52)



Concrete Pavers (page 47)



Cleats (page 45)



Dock Wheels (page 50)



Floats (page 34)



Pump Docks (page 33)



FISHING PIERS



Merco's Fishing Piers can be assembled in almost unlimited shapes and sizes. They are ADA compliant and in most cases have "drop downs" in the handrail sections for easy ADA access. We have private homeowners, state parks, and commercial marinas using these types of systems all over the country. These systems are great for all types of fisherman.



FLOATING BUILDINGS



2 Story, Marina Offices, Restrooms, & Vending



Floating Home in OH



Mobile Floating Cabin



Several Floating Homes on Lake Erie



Covered Boat House for Patrol Boats



Floating Home in KY



OUR MANUFACTURING FACILITY

Merco Marine™ manufactures all of our own galvanized steel hardware. All of our welders have had additional training and are all certified welders. All of our items are hot dipped galvanized after fabrication and will last for years.



Anglemaster



Robotic Welder



Hydraulic Press



Warehouse



High Definition Plasma Table



10' Shear



CNC Iron Worker



Pipe Benders



Shipping

When you do business with Merco, you are buying direct from the manufacturer. We are the manufacturer of all of our dock hardware, there are no third or fourth parties to deal with. The pictures above include machinery that we use here at our plant in Wellsburg, WV to manufacture all of our galvanized steel dock components and accessories. Starting top left: The **Anglemaster** is a CNC automated iron worker that punches holes in angle iron or flat steel at any pre-programmed location on the material 40' at a time. The **Robotic Welder** is set up to automatically weld most of our common products. The **CNC Hydraulic Press** can bend flat steel up to 10' long and ½" thick at any angle. The **10' Shear** is used to cut metal up to ½" thick and 10' wide. In our storage Warehouse we stock everything we sell for very fast shipping to our customers. Our **High Definition Plasma Table** is a computer controlled plasma system that we use to cut deck plates, tabs, special hardware and much more. The **CNC Iron Worker** is programmed to punch holes for many of our parts. Our two automated Pipe Benders can bend 1", 1-½", and 2" pipe or round stock from 8" to 20" in diameter. Merco produces over 65 types of hoops and pipe holders with this machine. Our more popular dock components are stored in our **Shipping** department for fast delivery. We ship UPS, FedEx for small orders. Large orders usually ship via several common carrier commercial trucking companies. Most orders go out the same day as they are received.





Homeowners Dock in Pennsylvania



Party Dock in Tennessee



Homeowners Dock in Connecticut



Watershed Conservancy Launch docks in Ohio

MISS MERCO MARINE

Merco Marine™ sponsors a 5.0 liter hydroplane named Miss Merco Marine. In the fall of 2013 Miss Merco established a new U.S. 1/4 mile record for 5 liters in New Martinsville, WV which still remains unbroken. In 2015 John set a new 1/4 mile record in the Grand National Class and was also the high point champion in that class.



EVENT DOCKS



Every year Merco provides hundreds of feet of temporary event dock to several weekend boating events. The picture shown to the left is the Wheeling Vintage Raceboat Regatta held once a year on Labor Day weekend in Wheeling, WV. The docks are stored at a marina throughout the year. A week before the regatta, we send a crew to transport and anchor the docks in place on site. The same dock is used for another event the following weekend for the Wheeling Sternwheeler festival. Give us a call today for more information about these types of systems for your event! If you're interested in renting some dock just give us a call at the number below.





Floating Boat Dock Manufacturer

60 Merco Road
Wellsburg, WV 26070

1.800.396.3726

1.304.737.3006

F:1.304.737.3008

E: merco@mercomarine.com

AMERICAN MADE & MANUFACTURED

When you do business with Merco, you are buying direct from the manufacturer. Everything we manufacture is made in the USA with U.S. workers and U.S. Steel. All of our items are hot dipped galvanized after fabrication and are made to last for years.



Trusted by big names. Never losing focus on individuals. **Every job matters to Merco.**



WWW.MERCOMARINE.COM
1.304.737.3006

